



AutoDome 800 Series HD PTZ Camera

VG5 800 Series



BOSCH

en Installation Manual

Table of Contents

1	Safety	7
1.1	Important Safety Instructions	7
1.2	Safety Precautions	9
1.3	Important Notices	9
1.4	Customer Support and Service	13
2	Installing the Pendant Arm Wall, Corner, and Mast (Pole) Mounts	14
2.1	Unpacking	14
2.1.1	Parts List	14
2.1.2	Description	15
2.1.3	Tools Required	15
2.2	Pre-installation Checklist	15
2.3	Mount Power Supply Box	16
2.4	Route Wires and Attach Connectors	17
2.4.1	Power Supply Box Connections	19
2.5	Route Power through Intermediate Power Supply Box	20
2.6	Attach Pendant Arm to Power Supply Box	22
2.7	Make Connections in Power Supply Box	23
2.8	Installing the VG4-A-ARMPLATE	26
2.8.1	Attach the Pendant Arm to the Mounting Plate	27
2.8.2	Route and Connect Wires to a Power Supply Box	27
2.9	Attach Pendant to Arm and Tighten	31
3	Installing Roof Parapet and Pipe Mounts	33
3.1	Unpacking	33
3.1.1	Parts List	33
3.1.2	Description	33
3.1.3	Tools Required	33
3.2	Pre-installation Check List	34
3.3	Mount Power Supply Box	34
3.3.1	Attach Cover Door	36
3.4	Route Wires and Attach Connectors	37
3.4.1	Wiring the Power Supply Box	39
3.4.2	Wiring the Fiber Optic Model	39
3.4.3	Power Supply Box Connections	41
3.5	Installing the VG4-A-9230 Roof Parapet Mount	42
3.6	Installing the VG4-A-9543 Pipe Mount	45
3.7	Wire the Pipe Interface Board	46
3.7.1	Connecting Wires to the Pipe Interface Board	47
3.8	Attach Pendant to Pipe and Tighten	49
4	Cable and Wire Standards	51
4.1	Power	51
4.2	Wire Distance Guide for Pendant	51
4.3	Video and Control Cables	51
4.4	Audio Cables	52

5	Alarms and Relay Connections	54
5.1	Alarm Inputs	54
5.2	Connecting Alarms (inputs 1 or 2)	54
5.2.1	Connecting a Normally Open Alarm	54
5.2.2	Connecting a Normally Closed Alarm	54
5.3	Configuring an Open Collector Output	55
6	Using the AutoDome 800 Series	56
6.1	Overview of Features	56
6.2	System Requirements	56
6.3	Connecting the AutoDome 800 Series to the PC	57
6.4	Configuring the AutoDome 800 Series Camera	58
6.4.1	Changing the Network Settings	59
6.5	Configuring Intelligent Tracking	60
6.5.1	Intelligent Tracking Operation	60
6.5.2	Guidelines for Implementing Intelligent Tracking	61
6.6	The Livepage	61
6.6.1	Entering a Keyboard Control Command	64
6.6.2	Using Intelligent Tracking	65
6.6.3	Using Special Functions	65
6.7	Saving Snapshots	66
6.8	Recording Video Sequences	66
6.9	Processor Load	66
6.10	Recordings page	68
6.10.1	Controlling playback	68
7	Configuring the AutoDome 800 Series	70
7.1	Basic Mode: Device Access	70
7.2	Basic Mode: Date/Time	71
7.3	Basic Mode: Network	72
7.4	Basic Mode: Encoder	72
7.5	Basic Mode: Audio	73
7.6	Basic Mode: Recording	73
7.7	Basic Mode: System Overview	74
7.8	Advanced Mode: General	74
7.9	Identification	74
7.10	Password	74
7.11	Date/Time	75
7.12	Display Stamping	76
7.13	Advanced Mode: Web Interface	77
7.14	Appearance	77
7.15	Livepage Functions	78
7.16	Logging	79
7.17	Advanced Mode: Camera	79
7.18	Installer Menu	79
7.19	Encoder Profile	80
7.20	Encoder Streams	82
7.21	Privacy Masks	84
7.22	Camera Settings	84

7.23	Lens Settings	86
7.24	PTZ Settings	87
7.25	Diagnostics	88
7.26	Preposition and Tours	89
7.27	Sectors	89
7.28	Miscellaneous	90
7.29	Logs	90
7.30	Audio	90
7.31	Pixel Counter	90
7.32	Advanced Mode: Recording	91
7.33	Storage Management	91
7.34	Recording Profiles	92
7.35	Retention Time	94
7.36	Recording Schedule	94
7.37	Recording Status	95
7.38	Advanced Mode: Alarm	95
7.39	Alarm Connections	95
7.40	VCA	97
7.41	Audio Alarm	101
7.42	Alarm E-Mail	102
7.43	Alarm Task Editor	103
7.44	Alarm Rules	103
7.45	Advanced Mode: Interfaces	104
7.46	Alarm Inputs	104
7.47	Relay	104
7.48	Advanced Mode: Network	105
7.49	Network Access	105
7.49.1	IPv4	105
7.49.2	IPv6	106
7.49.3	Detailed Settings	106
7.50	Advanced	108
7.51	Multicast	109
7.52	FTP Posting	110
7.53	IPv4 Filter	111
7.54	Encryption	111
7.55	Advanced Mode: Service	111
7.56	Maintenance	111
7.57	Licenses	112
7.58	System Overview	112
8	Bubble Handling and Cleaning	113
8.1	Handling	113
8.2	Cleaning	113
8.2.1	Cleaning the Bubble Interior	113
8.2.2	Cleaning the Bubble Exterior	114
9	BVIP Firmware Updates	115
9.1	Upgrading the AutoDome 800 Series	115
9.2	Beginning the Firmware Update Process	115

A	Keyboard Commands by Number	116
	Index	117

1 Safety

1.1 Important Safety Instructions

Read, follow, and retain for future reference all of the following safety instructions. Heed all warnings on the unit and in the operating instructions before operating the unit.

1. **Cleaning** - Unplug the unit from the outlet before cleaning. Follow any instructions provided with the unit. Generally, using a dry cloth for cleaning is sufficient, but a moist fluff-free cloth or leather shammy may also be used. Do not use liquid cleaners or aerosol cleaners.
2. **Heat Sources** - Do not install the unit near any heat sources such as radiators, heaters, stoves, or other equipment (including amplifiers) that produce heat.
3. **Ventilation** - Any openings in the unit enclosure are provided for ventilation to prevent overheating and ensure reliable operation. Do not block or cover these openings. Do not place the unit in an enclosure unless proper ventilation is provided, or the manufacturer's instructions have been adhered to.
4. **Water** - Do not use this unit near water, for example near a bathtub, washbowl, sink, laundry basket, in a damp or wet basement, near a swimming pool, in an outdoor installation, or in any area classified as a wet location. To reduce the risk of fire or electrical shock, do not expose this unit to rain or moisture.
5. **Object and liquid entry** - Never push objects of any kind into this unit through openings as they may touch dangerous voltage points or short-out parts that could result in a fire or electrical shock. Never spill liquid of any kind on the unit. Do not place objects filled with liquids, such as vases or cups, on the unit.
6. **Lightning** - For added protection during a lightning storm, or when leaving this unit unattended and unused for long periods, unplug the unit from the wall outlet and disconnect the cable system. This will prevent damage to the unit from lightning and power line surges.
7. **Controls adjustment** - Adjust only those controls specified in the operating instructions. Improper adjustment of other controls may cause damage to the unit. Use of controls or adjustments, or performance of procedures other than those specified, may result in hazardous radiation exposure.
8. **Overloading** - Do not overload outlets and extension cords. This can cause fire or electrical shock.
9. **Power cord and plug protection** - Protect the plug and power cord from foot traffic, being pinched by items placed upon or against them at electrical outlets, and its exit from the unit. For units intended to operate with 230 VAC, 50 Hz, the input and output power cord must comply with the latest versions of *IEC Publication 227* or *IEC Publication 245*.
10. **Power disconnect** - Units with or without ON/OFF switches have power supplied to the unit whenever the power cord is inserted into the power source; however, the unit is operational only when the ON/OFF switch is in the ON position. The power cord is the main power disconnect device for switching off the voltage for all units.

11. **Power sources** - Operate the unit only from the type of power source indicated on the label. Before proceeding, be sure to disconnect the power from the cable to be installed into the unit.
 - For battery powered units, refer to the operating instructions.
 - For external power supplied units, use only the recommended or approved power supplies.
 - For limited power source units, this power source must comply with *EN60950*. Substitutions may damage the unit or cause fire or shock.
 - For 24 VAC units, voltage applied to the unit's power input should not exceed $\pm 10\%$, or 28 VAC. User-supplied wiring must comply with local electrical codes (Class 2 power levels). Do not ground the supply at the terminals or at the unit's power supply terminals.
 - If unsure of the type of power supply to use, contact your dealer or local power company.
12. **Servicing** - Do not attempt to service this unit yourself. Opening or removing covers may expose you to dangerous voltage or other hazards. Refer all servicing to qualified service personnel.
13. **Damage requiring service** - Unplug the unit from the main AC power source and refer servicing to qualified service personnel when any damage to the equipment has occurred, such as:
 - the power supply cord or plug is damaged;
 - exposure to moisture, water, and/or inclement weather (rain, snow, etc.);
 - liquid has been spilled in or on the equipment;
 - an object has fallen into the unit;
 - unit has been dropped or the unit cabinet is damaged;
 - unit exhibits a distinct change in performance;
 - unit does not operate normally when the user correctly follows the operating instructions.
14. **Replacement parts** - Be sure the service technician uses replacement parts specified by the manufacturer, or that have the same characteristics as the original parts. Unauthorized substitutions may cause fire, electrical shock, or other hazards.
15. **Safety check** - Safety checks should be performed upon completion of service or repairs to the unit to ensure proper operating condition.
16. **Installation** - Install in accordance with the manufacturer's instructions and in accordance with applicable local codes.
17. **Attachments, changes or modifications** - Only use attachments/accessories specified by the manufacturer. Any change or modification of the equipment, not expressly approved by Bosch, could void the warranty or, in the case of an authorization agreement, authority to operate the equipment.

1.2 Safety Precautions



DANGER!

This symbol indicates an imminently hazardous situation such as “Dangerous Voltage” inside the product. If not avoided, this will result in an electrical shock, serious bodily injury, or death.



WARNING!

Indicates a potentially hazardous situation. If not avoided, this could result in serious bodily injury or death.

CAUTION!

Indicates a potentially hazardous situation. If not avoided, this may result in minor or moderate injury. Alerts the user to important instructions accompanying the unit.



CAUTION!

Indicates a potentially hazardous situation. If not avoided, this may result in property damage or risk of damage to the unit.



NOTICE!

This symbol indicates information or a company policy that relates directly or indirectly to the safety of personnel or protection of property.

1.3 Important Notices



Accessories - Do not place this unit on an unstable stand, tripod, bracket, or mount. The unit may fall, causing serious injury and/or serious damage to the unit. Use only with the cart, stand, tripod, bracket, or table specified by the manufacturer. When a cart is used, use caution and care when moving the cart/apparatus combination to avoid injury from tip-over. Quick stops, excessive force, or uneven surfaces may cause the cart/unit combination to overturn. Mount the unit per the manufacturer's instructions.

All-pole power switch - Incorporate an all-pole power switch, with a contact separation of at least 3 mm in each pole, into the electrical installation of the building. If it is needed to open the housing for servicing and/or other activities, use this all-pole switch as the main disconnect device for switching off the voltage to the unit.

Camera grounding - For mounting the camera in potentially damp environments, ensure to ground the system using the ground connection of the power supply connector (see section: Connecting external power supply).

Camera lens - An assembled camera lens in the outdoor housing must comply and be tested in accordance with *UL/IEC60950*. Any output or signal lines from the camera must be SELV or Limited Power Source. For safety reasons the environmental specification of the camera lens assembly must be within the environmental specification of -10 °C (14 °F) to 50 °C (122 °F).

Camera signal - Protect the cable with a primary protector if the camera signal is beyond 140 feet, in accordance with *NEC800 (CEC Section 60)*.

Coax grounding:

- Ground the cable system if connecting an outside cable system to the unit.
- Connect outdoor equipment to the unit's inputs only after this unit has had its grounding plug connected to a grounded outlet or its ground terminal is properly connected to a ground source.

- Disconnect the unit's input connectors from outdoor equipment before disconnecting the grounding plug or grounding terminal.
- Follow proper safety precautions such as grounding for any outdoor device connected to this unit.

U.S.A. models only - *Section 810 of the National Electrical Code, ANSI/NFPA No.70*, provides information regarding proper grounding of the mount and supporting structure, grounding of the coax to a discharge unit, size of grounding conductors, location of discharge unit, connection to grounding electrodes, and requirements for the grounding electrode.



NOTICE!

This device is intended for use in public areas only.
U.S. federal law strictly prohibits surreptitious recording of oral communications.



Your Bosch product was developed and manufactured with high-quality material and components that can be recycled and reused. This symbol means that electronic and electrical appliances, which have reached the end of their working life, must be collected and disposed of separately from household waste material. Separate collecting systems are usually in place for disused electronic and electrical products. Please dispose of these units at an environmentally compatible recycling facility, per *European Directive 2002/96/EC*.

Environmental statement - Bosch has a strong commitment towards the environment. This unit has been designed to respect the environment as much as possible.

Electrostatic-sensitive device - Use proper CMOS/MOS-FET handling precautions to avoid electrostatic discharge.

NOTE: Wear required grounded wrist straps and observe proper ESD safety precautions when handling the electrostatic-sensitive printed circuit boards.

Fuse rating - For security protection of the device, the branch circuit protection must be secured with a maximum fuse rating of 16A. This must be in accordance with *NEC800 (CEC Section 60)*.

Grounding and polarization - This unit may be equipped with a polarized alternating current line plug (a plug with one blade wider than the other blade). This safety feature allows the plug to fit into the power outlet in only one way. If unable to insert the plug fully into the outlet, contact a locally certified electrician to replace the obsolete outlet. Do not defeat the safety purpose of the polarized plug.

Alternately, this unit may be equipped with a 3-pole grounding plug (a plug with a third pin for earth grounding). This safety feature allows the plug to fit into a grounded power outlet only. If unable to insert the plug into the outlet, contact a locally certified electrician to replace the obsolete outlet. Do not defeat the safety purpose of the grounding plug.

Moving - Disconnect the power before moving the unit. Move the unit with care. Excessive force or shock may damage the unit and the hard disk drives.

Outdoor signals - The installation for outdoor signals, especially regarding clearance from power and lightning conductors and transient protection, must be in accordance with *NEC725 and NEC800 (CEC Rule 16-224 and CEC Section 60)*.

Permanently connected equipment - Incorporate a readily accessible disconnect device in the building installation wiring.

Pluggable equipment - Install the socket outlet near the equipment so it is easily accessible.

PoE - Never supply power via the Ethernet connection (PoE) when power is already supplied via the power connector.

Power disconnect - Units have power supplied whenever the power cord is inserted into the power source. The power cord is the main power disconnect for all units.

Power lines - Do not locate the camera near overhead power lines, power circuits, or electrical lights, nor where it may contact such power lines, circuits, or lights.

SELV

All the input/output ports are Safety Extra Low Voltage (SELV) circuits. SELV circuits should only be connected to other SELV circuits.

Because the ISDN circuits are treated like telephone-network voltage, avoid connecting the SELV circuit to the Telephone Network Voltage (TNV) circuits.

Video loss - Video loss is inherent to digital video recording; therefore, Bosch Security Systems cannot be held liable for any damage that results from missing video information. To minimize the risk of lost digital information, Bosch Security Systems recommends multiple, redundant recording systems, and a procedure to back up all analog and digital information.



NOTICE!

This is a class A product. In a domestic environment this product may cause radio interference, in which case the user may be required to take adequate measures.

FCC & ICES INFORMATION

(U.S.A. and Canadian Models Only, CLASS A)

This device complies with *part 15* of the *FCC Rules*. Operation is subject to the following conditions:

- this device may not cause harmful interference, and
- this device must accept any interference received, including interference that may cause undesired operation.

Note

This equipment has been tested and found to comply with the limits for a Class A digital device, pursuant to Part 15 of the FCC Rules and ICES-003 of Industry Canada. These limits are designed to provide reasonable protection against harmful interference when the equipment is operated in a commercial environment. This equipment generates, uses, and radiates radio frequency energy and, if not installed and used in accordance with the instruction manual, may cause harmful interference to radio communications. Operation of this equipment in a residential area is likely to cause harmful interference, in which case the user will be required to correct the interference at his expense.

Intentional or unintentional modifications, not expressly approved by the party responsible for compliance, shall not be made. Any such modifications could void the user's authority to operate the equipment. If necessary, the user should consult the dealer or an experienced radio/television technician for corrective action.

The user may find the following booklet, prepared by the Federal Communications Commission, helpful: *How to Identify and Resolve Radio-TV Interference Problems*. This booklet is available from the U.S. Government Printing Office, Washington, DC 20402, Stock No. 004-000-00345-4.

INFORMATIONS FCC ET ICES (commercial applications)

(modèles utilisés aux États-Unis et au Canada uniquement, CLASSE A)

Ce produit est conforme aux normes FCC partie 15. La mise en service est soumise aux deux conditions suivantes:

- cet appareil ne peut pas provoquer d'interférence nuisible et
- cet appareil doit pouvoir tolérer toutes les interférences auxquelles il est soumis, y compris les interférences qui pourraient influencer sur son bon fonctionnement.

AVERTISSEMENT: Suite à différents tests, cet appareil s'est révélé conforme aux exigences imposées aux appareils numériques de Classe A en vertu de la section 15 du règlement de la Commission fédérale des communications des États-Unis (FCC). Ces contraintes sont

destinées à fournir une protection raisonnable contre les interférences nuisibles quand l'appareil est utilisé dans une installation commerciale. Cette appareil génère, utilise et émet de l'énergie de fréquence radio, et peut, en cas d'installation ou d'utilisation non conforme aux instructions, générer des interférences nuisibles aux communications radio. L'utilisation de ce produit dans une zone résidentielle peut provoquer des interférences nuisibles. Le cas échéant, l'utilisateur devra remédier à ces interférences à ses propres frais.

Au besoin, l'utilisateur consultera son revendeur ou un technicien qualifié en radio/télévision, qui procédera à une opération corrective. La brochure suivante, publiée par la Commission fédérale des communications (FCC), peut s'avérer utile : « How to Identify and Resolve Radio-TV Interference Problems » (Comment identifier et résoudre les problèmes d'interférences de radio et de télévision). Cette brochure est disponible auprès du U.S. Government Printing Office, Washington, DC 20402, États-Unis, sous la référence n° 004-000-00345-4.

AVERTISSEMENT: Ce produit est un appareil de Classe A. Son utilisation dans une zone résidentielle risque de provoquer des interférences. Le cas échéant, l'utilisateur devra prendre les mesures nécessaires pour y remédier.

Disclaimer

Underwriter Laboratories Inc. ("UL") has not tested the performance or reliability of the security or signaling aspects of this product. UL has only tested fire, shock and/or casualty hazards as outlined in UL's *Standard(s) for Safety for Information Technology Equipment, UL 60950-1*. UL Certification does not cover the performance or reliability of the security or signaling aspects of this product.

UL MAKES NO REPRESENTATIONS, WARRANTIES, OR CERTIFICATIONS WHATSOEVER REGARDING THE PERFORMANCE OR RELIABILITY OF ANY SECURITY OR SIGNALING-RELATED FUNCTIONS OF THIS PRODUCT.

Copyright

This user guide is the intellectual property of Bosch Security Systems, Inc. and is protected by copyright.

All rights reserved.

Trademarks

All hardware and software product names used in this document are likely to be registered trademarks and must be treated accordingly.



NOTICE!

This user guide has been compiled with great care and the information it contains has been thoroughly verified. The text was complete and correct at the time of printing. The ongoing development of the products may mean that the content of the user guide can change without notice. Bosch Security Systems accepts no liability for damage resulting directly or indirectly from faults, incompleteness or discrepancies between the user guide and the product described.

1.4 Customer Support and Service

If this unit needs service, contact the nearest Bosch Security Systems Service Center for authorization to return and shipping instructions.

Service Centers

USA

Telephone: 800-366-2283 or 585-340-4162

Fax: 800-366-1329

Email: cctv.repair@us.bosch.com

Customer Service

Telephone: 888-289-0096

Fax: 585-223-9180

Email: security.sales@us.bosch.com

Technical Support

Telephone: 800-326-1450

Fax: 585-223-3508 or 717-735-6560

Email: technical.support@us.bosch.com

Repair Center

Telephone: 585-421-4220

Fax: 585-223-9180 or 717-735-6561

Email: security.repair@us.bosch.com

Canada

Telephone: 514-738-2434

Fax: 514-738-8480

Europe, Middle East & Asia Pacific Region

Telephone: 44 (0) 1495 274558

Fax: 44 (0) 1495 274280

Email: rmahelpdesk@solectron.com

More information

For additional information, please contact your Bosch Security Systems representative or visit our web site at www.boschsecurity.com

2 Installing the Pendant Arm Wall, Corner, and Mast (Pole) Mounts

2.1 Unpacking

This equipment should be unpacked and handled with care. If an item appears to have been damaged in shipment, notify the shipper immediately.

Verify that all the parts listed in the Parts List below are included. If any items are missing, notify your Bosch Security Systems Sales or Customer Service Representative. See *Section 1.4 Customer Support and Service, page 13* for contact information.

The original packing carton is the safest container in which to transport the unit and must be used if returning the unit for service. Save it for possible future use.

2.1.1 Parts List

The following table lists the parts included with the Pendant Arm Wall, Corner, or Mast mount packages.

Mount Kit Options	Part Numbers
Pendant Arm (Only)	VGA-PEND-ARM
Pendant Arm with Mounting Plate (24 V AutoDome models only, no power supply box)	VGA-PEND-WPLATE
Pendant Arm with one of the following Power Supply Boxes:	
– Power Box without transformer (24 VAC)	VG4-A-PA0
– Power Box with 120 VAC transformer or with 230 VAC transformer	VG4-A-PA1 VG4-A-PA2
Trim Skirt for Power Supply Box (optional)	VG4-A-TSKIRT
Corner Mount Kit	
– Corner Mount Plate	VG4-A-9542
Mast (Pole) Mount Kit	
– Mast Mount Plate	VG4-A-9541
Fiber Optic Ethernet Media Converter kit	VG4-SFPSCKT

2.1.2

Description

This chapter details how to install an AutoDome Pendant Arm to a wall, a corner, or to a mast (pole). Any variations to the installation procedures are noted.

See *Section 3 Installing Roof Parapet and Pipe Mounts, page 33* for a Roof (Parapet) or Pipe mount installation.

2.1.3

Tools Required

- 5 mm Allen wrench (supplied)
- Small, straight-blade screwdriver - 2.5 mm (0.1 in.)
- No. 2 Phillips screwdriver
- Socket wrench and 9/16-in. socket
- Banding tool (Bosch P/N TC9311PM3T) - if installing a mast (pole) mount
- 3/4 in. (20-mm) NPS right angle conduit connector - if installing a mast (pole) mount with a VG4-ARMPLATE

2.2

Pre-installation Checklist

1. Determine the location and distance for the Power Supply Box based on its voltage and current consumption.
You may choose to route the main power supply through an intermediate power supply box (VG4-PSU1 or VG4-PSU2) before connecting the power to the pendant arm power supply box (VG4-PA0). See *Section 4 Cable and Wire Standards, page 51*, for wiring information and distances.
2. Use only UL listed liquid tight strain reliefs for conduits to the Power Supply Box to ensure that water cannot enter the box. You must use water tight conduits and fittings to meet NEMA 4 standards.



WARNING!

Power and I/O cabling must be routed separately inside different permanently earthed metal conduits.

3. Route all rough wiring including: power, Ethernet, alarms I/O, relay I/O, and fiber optic cabling. See *Section 4 Cable and Wire Standards, page 51*, for video and control protocol methods.



WARNING!

Install external interconnecting cables in accordance to NEC, ANSI/NFPA70 (for US application) and Canadian Electrical Code, Part I, CSA C22.1 (for CAN application) and in accordance to local country codes for all other countries.

Branch circuit protection incorporating a 20 A, 2-pole Listed Circuit Breaker or Branch Rated Fuses are required as part of the building installation. A readily accessible 2-pole disconnect device with a contact separation of at least 3 mm must be incorporated.

4. Choose the appropriate AutoDome model for the environment in which it will be used.
5. Choose the appropriate mounting kit to use, depending on the location of the AutoDome, either wall mount, corner mount, or mast (pole) mount.
If the kit contains a Power Supply Box, refer to *Section 2.3 Mount Power Supply Box, page 16*.
If you are using the Mounting Plate with a 24 V AutoDome, refer to *Section 2.8 Installing the VG4-A-ARMPLATE, page 26*.

**CAUTION!**

Select a rigid mounting location to prevent excessive vibration to the AutoDome camera.

2.3**Mount Power Supply Box**

Before mounting the Power Supply Box decide if you should wire the box through the holes in the bottom or back of the box. If wiring the box through the back, move the two (2) seal plugs to the bottom through the holes before mounting.



NOTICE! Use 3/4-inch (20-mm) NPS fittings for the holes on the bottom and back of the box. Use 1/2-inch (15-mm) NPS fittings for the side holes.

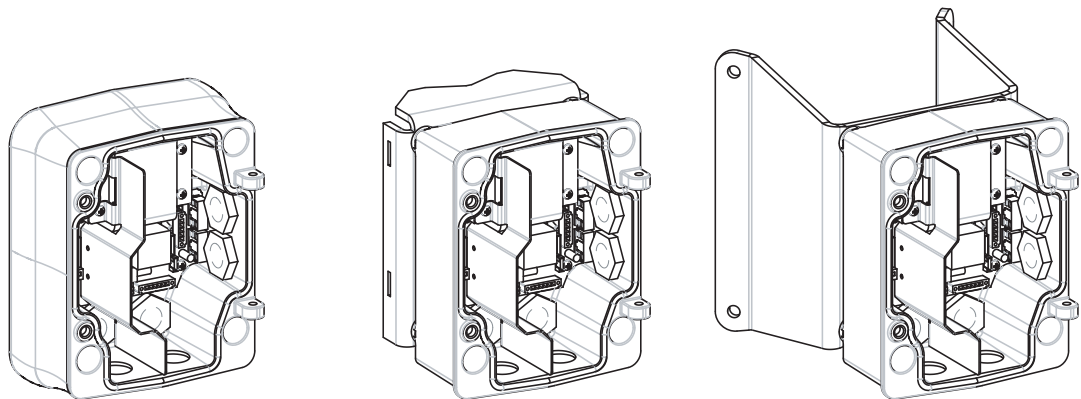


Figure 2.1 Power Supply Wall (with optional trim skirt), Mast (Pole), and Corner Mounts

1. Use the wall mount template supplied in the packaging box to locate the four mounting holes for the Power Supply Box.
2. Drill four (4) holes for the mounting anchors. If installing outdoors, apply a weatherproof sealant around each hole at the mounting surface.

**WARNING!**

A stud diameter of 6.4 mm (1/4 inch) to 8 mm (5/16 inch) able to withstand a 120 kg (265 lb) pull-out force is recommended. The mounting material must be able to withstand this pull out force. For example, 19-mm (3/4-inch) minimum for plywood.

3. Place the Power Supply Box into the optional Trim Skirt.
4. Secure the Power Supply Box to the mounting surface.
 - For a Wall installation: Use four (4) corrosion-resistant, stainless steel studs (not supplied). Then proceed to Step 5 below.
 - For a Corner installation: Secure the Corner Plate to the wall corner using four (4) studs (not included). Then proceed to Step 5 below.
 - For a Mast or a pole installation: The metal straps included with the Mast mount accommodate a pole with a diameter of 100–380 mm (4–15 in.). You must use a banding tool (sold separately) for a mast or pole installation. Follow the instructions provided with the banding tool to securely mount the Mast Plate to the pole. Contact your Bosch Sales Representative to order Banding Tool P/N TC9311PM3T.
5. Secure the Power Supply Box to the Corner Plate or Mast Plate using the four (4) 3/8 x 1-3/4-inch bolts and split lock washers (supplied).

- Attach 3/4-inch (20-mm) NPS watertight pipe fittings (not supplied) to the bottom or back holes of the Power Supply Box through which you will run the power, video, and control data wires.

2.4 Route Wires and Attach Connectors

Power wires must be routed to the left (front) side of the power supply box through a separate conduit. All video, control, and alarm wires must be routed through a second conduit to the right side of the box.

If you plan to route the power through an intermediate power supply box, refer to *Section 2.5 Route Power through Intermediate Power Supply Box, page 20.*

WARNING!

External interconnecting cables are to be installed in accordance to NEC, ANSI/NFPA70 (for US application) and Canadian Electrical Code, Part I, CSA C22.1 (for CAN application) and in accordance to local country codes for all other countries.

Branch circuit protection incorporating a 20 A, 2-pole Listed Circuit Breaker or Branch Rated Fuses are required as part of the building installation. A readily accessible 2-pole disconnect device with a contact separation of at least 3 mm must be incorporated.

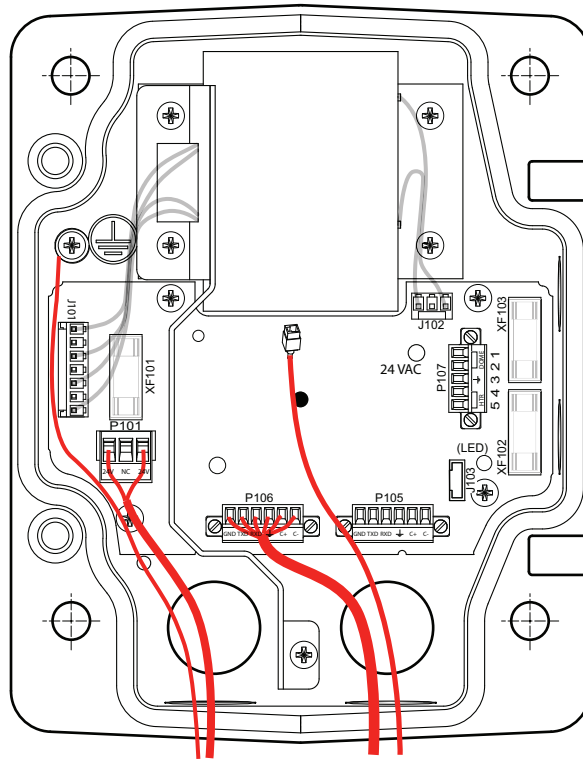


Figure 2.2 Pendant Arm Power Supply Box

- Route all network, control, and alarm wires through the conduit fitting on the right side of the power box. See *Section 4 Cable and Wire Standards, page 51*, for fiber optic specifications and distances.
- Route the high voltage 115/230 VAC lines through the conduit fitting on the left side of the box. The Power Supply Box with a transformer comes with a barrier that separates the high voltage side on the left, from the low voltage 24 VAC side on the right.
- Cut and trim all wires with sufficient slack to reach their connector terminals in the box, but not so long as to be pinched by or to obstruct closing the Pendant Arm. See *Figure 2.2, Page 17*, above, for the connector locations.

4. Attach the supplied 3-pin Power Plug to the incoming power wires. See connector P101 in *Table 2.1, Page 20*, for wire connections.
5. Attach an RJ45 plug to the incoming Ethernet cable. If installing a Fiber Optic model, attach an ST fiber plug to the optic fiber cable. See *Section 4 Cable and Wire Standards, page 51*, for the different methods of transmitting video and control protocols, and wire specifications.
6. If you are connecting alarm inputs and relay outputs, attach the supplied 4-wire Alarm Output and the 6-wire Alarm Input flying leads to the appropriate relay and alarm wires.

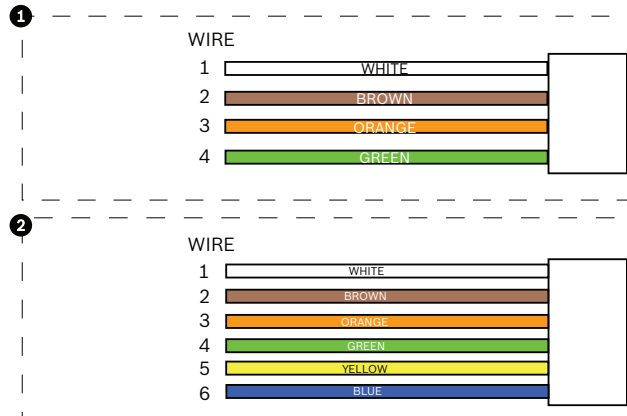


Figure 2.3 Alarm and relay connectors

1 4-pin Alarm Output Flying Lead			2 6-pin Alarm Input Flying Lead		
Wire	Color	Description	Wire	Color	Description
1	White	Not used	1	White	Alarm Input 1 (A3)
2	Brown	Not used	2	Brown	Alarm Input 2 (A4)
3	Orange	Relay Out 1	3	Orange	Not used
4	Green	Relay Ground	4	Green	Not used
			5	Yellow	Not used
			6	Blue	Alarm Ground (AGND)

2.4.1 Power Supply Box Connections

The following figure is a detailed illustration of the Pendant Arm Power Supply Box, which includes the fuse specifications.

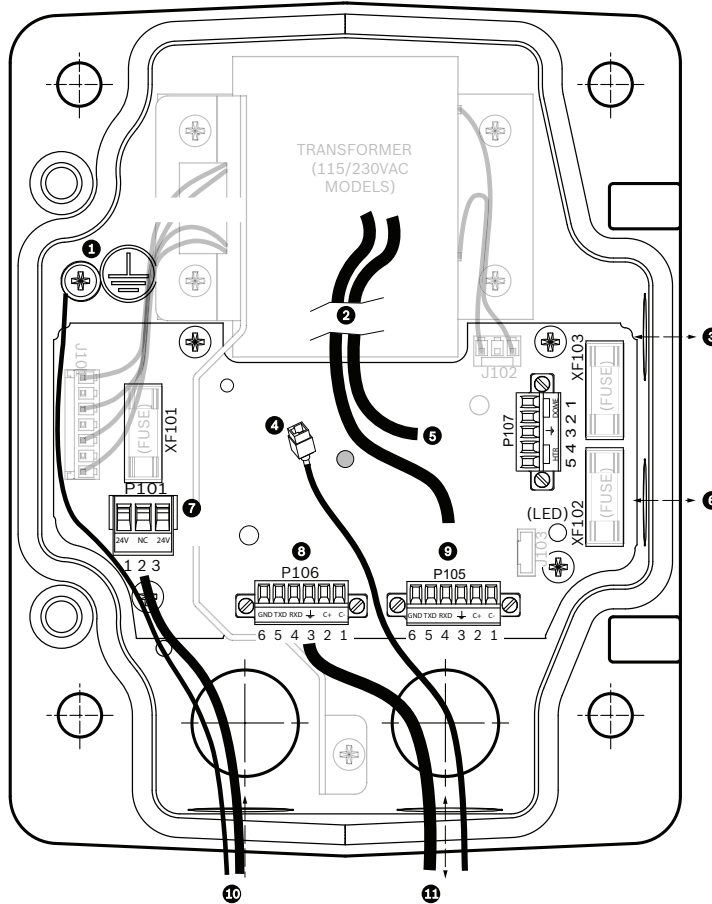


Figure 2.4 Pendant arm power supply box

1	Ground Screw	7	P101 Connector; Power In
2	From Harness	8	P106 Connector; Audio In
3	In/Out; 1/2 in. (15 mm) NPS Fitting	9	P105 Connector; Audio In to Dome
4	Ethernet (video and control)	10	Power In; 3/4 in. (20 mm) NPS Fitting
5	24 VAC to Dome	11	Audio In; 3/4 in. (20 mm) NPS Fitting
6	In/Out; 1/2 in. (15 mm) NPS Fitting		



WARNING!

Fuse replacement by qualified service personnel only. Replace with same type fuse.

Fuse Specifications			
Volts	XF101 Mains	XF102 Camera	XF103 Heater
24 V	T 5.0 A	T 2.0 A	T 3.15 A
115 V	T 1.6 A	T 2.0 A	T 3.15 A
230 V	T 0.8A	T 2.0 A	T 3.15 A

The following table lists the Power Supply Box connectors:

No.	Connector	Pin 1	Pin 2	Pin 3	Pin 4	Pin 5	Pin 6
	Ground	Grounding Screw					
P101	115/230 VAC or 24 VAC Power In	Line	NC	Neutral			
P105	Data/Audio	Audio	Audio	Earth Ground	Not Used		
P106	Not Used						
P107	24 VAC Power (Arm Harness)	Dome 24 VAC	Dome 24 VAC	Earth Ground	Heater (24 VAC)	Heater (24 VAC)	

Table 2.1 Power Supply Box Connections

2.5 Route Power through Intermediate Power Supply Box

You may route the main power supply through a VG4-PSU1 (120 V transformer) or through a VG4-PSU2 (230 V transformer) Power Supply Box before connecting the power to a VG4-PA0 (24 V, no transformer) Power Supply Box. The main issue with this configuration is that the 5-pin power out connector from the VG4-PSU1 or VG4-PSU2 does not match to the 3-pin power input of the VG4-PA0 power supply. The illustration below depicts:

- A VG4-PSU1/VG4-PSU2 Power Supply Box.
- The main power supply connected to the P101 connector and to the grounding screw.
- The 24 VAC power out wire connected to the P107 heater power connectors.

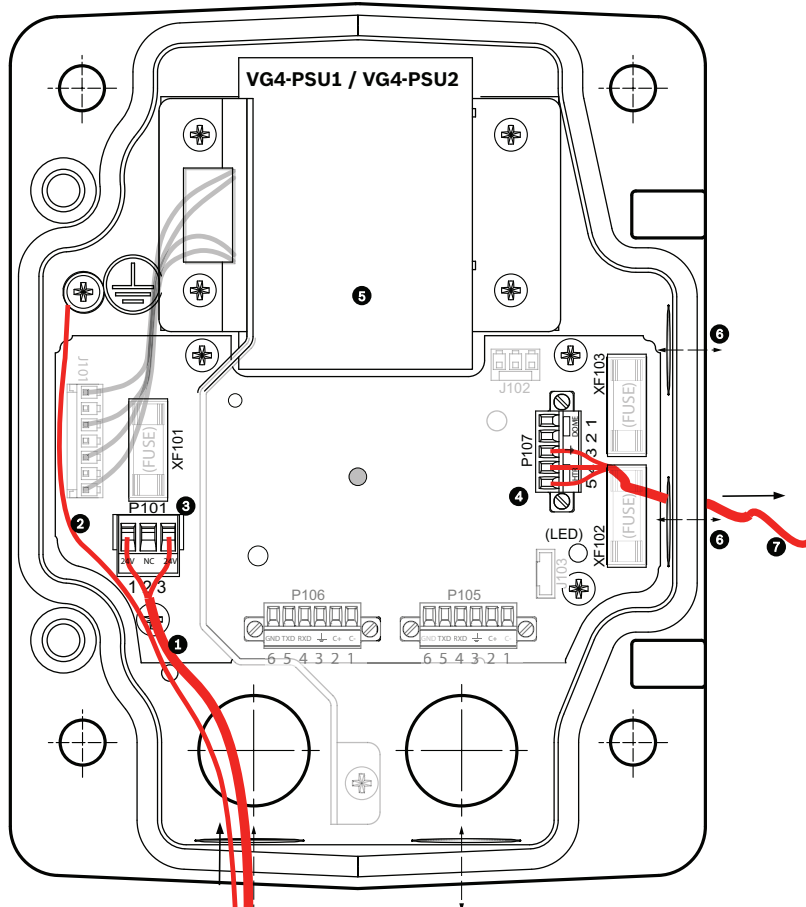


Figure 2.5 VG4-PSU1/VG4-PSU2 Power Supply Box

1	120/230 VAC Power In	5	Transformer
2	Ground Wire	6	In/Out Conduit (1/2 in. [15 mm] NPS Fitting)
3	P101 Connector	7	24 VAC Power Out to VG4-PA0
4	P107 Connector		

To properly wire the incoming high voltage and the outgoing low voltage lines, refer to this table:

No.	Connector	Pin 1	Pin 2	Pin 3	Pin 4	Pin 5	Pin 6
	Ground	Grounding Screw					
P101	115/230 VAC Power In	Line	NC	Neutral			
P107	24 VAC Power Out			Earth Ground	Heater (24 VAC)	Heater (24 VAC)	

Table 2.2 VG4-PSU1/VG4-PSU2 Power Supply Box Connections

1. Route the high voltage 115/230 VAC lines through the conduit fitting on the left side of the box. The Power Supply Box with a transformer comes with a barrier that separates the high voltage side on the left, from the low voltage 24 VAC side on the right.
2. Cut and trim the high voltage 115/230 VAC power and ground wires with sufficient slack to reach their connector terminal in the box, but not so long as to be pinched by or to obstruct closing the cover door.
3. Attach the supplied 3-pin power plug to the incoming high voltage power wires in the box. Refer to connector P101 in *Table 2.2, Page 21* and to the image below for an illustration of these connections:



Figure 2.6 Incoming 115/230 VAC power supply

4. Attach the ground wire to the grounding screw.
5. Connect three wires to the P107 Power Out connector to route the 24 VAC power supply to the VG4-PA0 Power Supply Box.
 - a. Connect the first wire to pin 5 (HN: Heater Neutral) connector.
 - b. Connect the second wire to pin 4 (HL: Heater Line) connector.
 - c. Connect the third wire to pin 3 (Earth Ground) connector.
 Refer to connector P107 in *Table 2.2* and to the image below for an illustration of these connections:

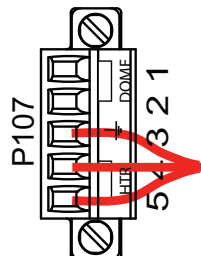


Figure 2.7 Outgoing 24 VAC power supply

**WARNING!**

Ensure that you connect the outgoing power supply wires to the P107 heater connectors (HN and HL). The heater power (XF103) fuse can handle a higher amperage (3.15 A) than the camera power (XF102) fuse (2.0 A).

6. Route the 24 VAC outgoing power supply wires into the VG4-PA0 power supply box through the conduit fitting on the left side of the box.
7. Cut and trim the 24 VAC power and ground wires with sufficient slack to reach their connector terminal in the box, but not so long as to be pinched by or to obstruct closing the cover door.
8. Attach the supplied 3-pin power plug to the incoming 24 VAC power wires in the box, as illustrated below.

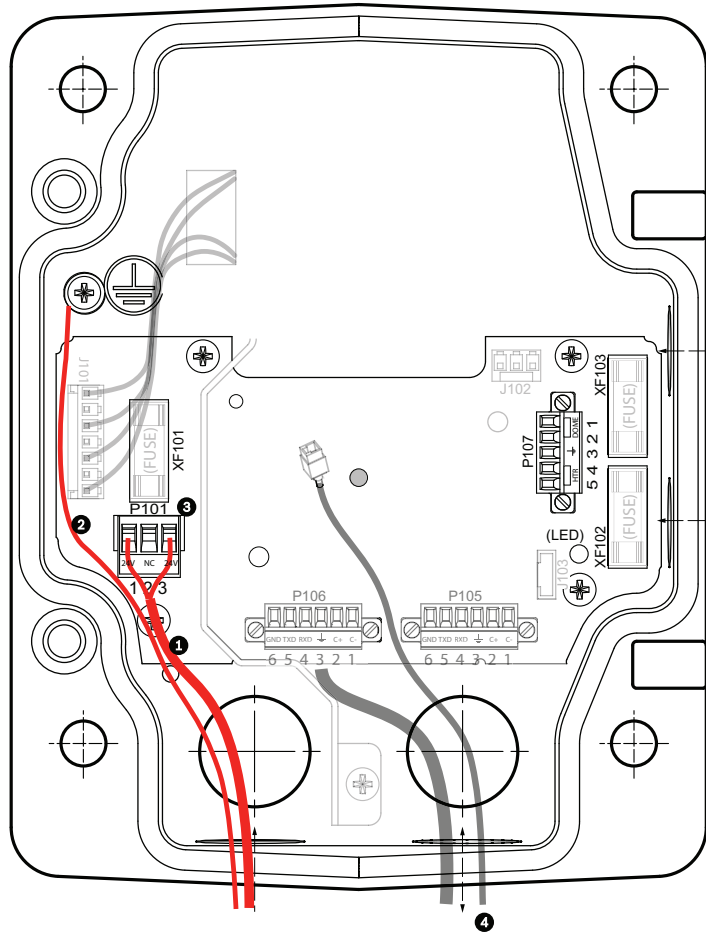


Figure 2.8 VG4-PA0 Power Supply Box

1	Incoming 24 VAC Power Supply Wires (from VG4-PSU1/VG4-PSU2 power supply box)
2	Ground Wire
3	P101 Connector
4	Ethernet (Video and Control)

9. Follow the instructions in *Section 2.6 Attach Pendant Arm to Power Supply Box, page 22*, to continue the installation.

2.6

Attach Pendant Arm to Power Supply Box

The bottom hinge pin of the Pendant Arm is provided with a Hinge Pin Stop to hold the hinge open while attaching the arm to the Power Supply Box.

1. Compress the bottom hinge pin by pushing the pin lever downward and rotating it behind the Hinge Pin Stop.

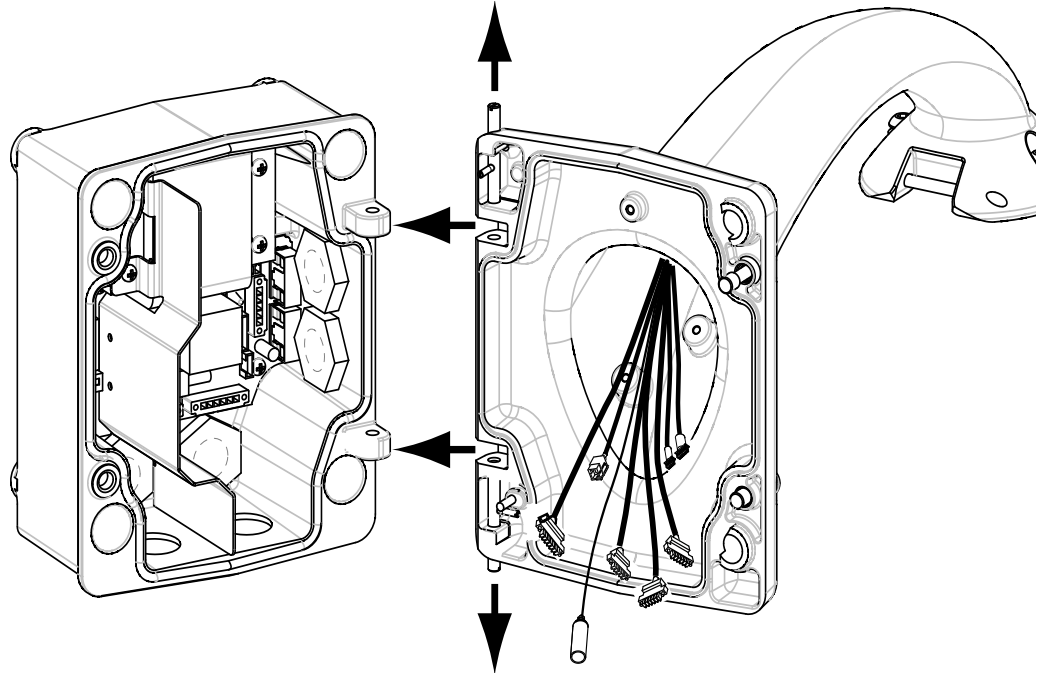


Figure 2.9 Pendant Arm to Power Box Hinge Alignment

2. Open the top hinge by pushing its pin lever up and holding it.



NOTICE! Both Hinge Pins must be fully compressed to open (unlock) the hinges of the Pendant Arm and before proceeding to the next step.

3. While continuing to hold the top hinge pin open and align the top and bottom hinges of the Pendant Arm to their mating points on the Power Supply Box. See *Figure 2.9*, above, for an illustration.
4. Once you have the hinges aligned, release the top hinge pin to engage its mating hinge on the power box. Then release the bottom hinge pin from the Hinge Pin Stop to lock the Pendant Arm to the Power Supply Box.



WARNING!

Serious injury or death can occur if the hinge pins of the Pendant Arm are not fully engaged (locked) to the Power Supply Box. Exercise caution before releasing the Pendant Arm.

2.7

Make Connections in Power Supply Box

Refer to *Table 2.2, Page 21* to locate the various connectors in the power supply box and make the following connections detailed below.

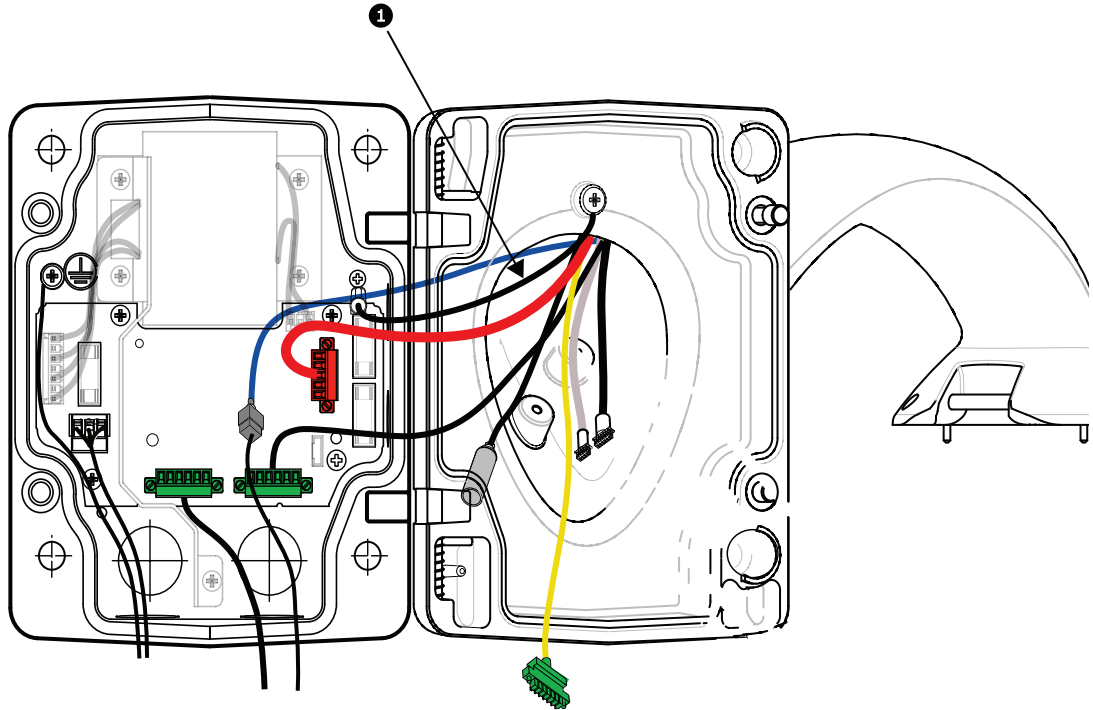
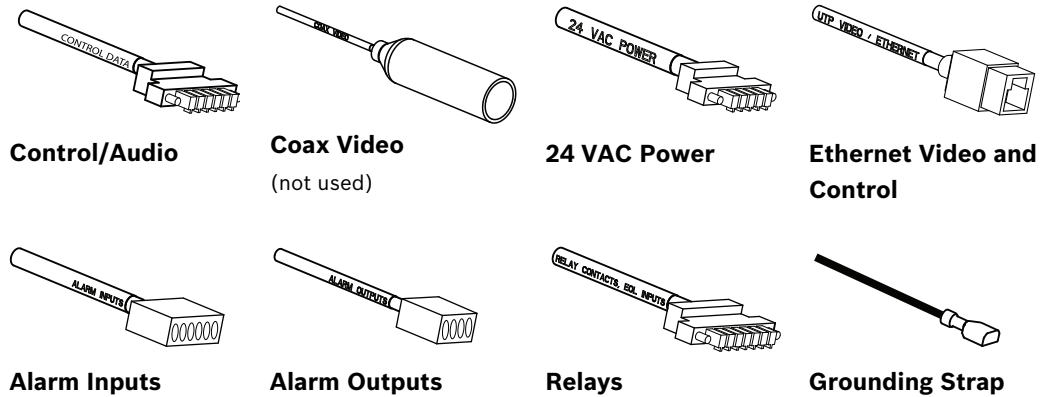


Figure 2.10 Pendant Arm connections to Power Supply Box

1. Attach the earth ground wire (item 1 in the illustration above) to the grounding screw on the left side of the power box.
2. Connect the 6-pin Control/Audio cable, installed previously, to its mating connector P106 in the power box.
3. Connect the 6-pin Control to Dome Plug from the Pendant Connector Harness to its mating connector P105 in the power box.



WARNING!

Do not connect the RJ45 connector unless using UTP video or Ethernet.

4. Connect the 5-pin, 24 VAC to Dome Plug from the Pendant Connector Harness to its corresponding color mating connector P107 on the right side of the box.
5. To connect alarm Inputs and the alarm output, connect the 4-pin Alarm Out and the 6-pin Alarm In connectors from the Pendant Connector Harness to their mating connectors, installed previously, to the incoming alarm wires.

6. Connect the 3-pin Power In Plug, installed previously, to its mating connector P101 on the left side of the box.
7. If installing a Fiber Optic model attach the incoming ST fiber plug, installed previously, to its mating connector on the Fiber Optic Module in the power supply box. Then attach the Ethernet cable to its mating connector from the Pendant Connector Harness. See *Section 4 Cable and Wire Standards, page 51* for fiber optic specifications.

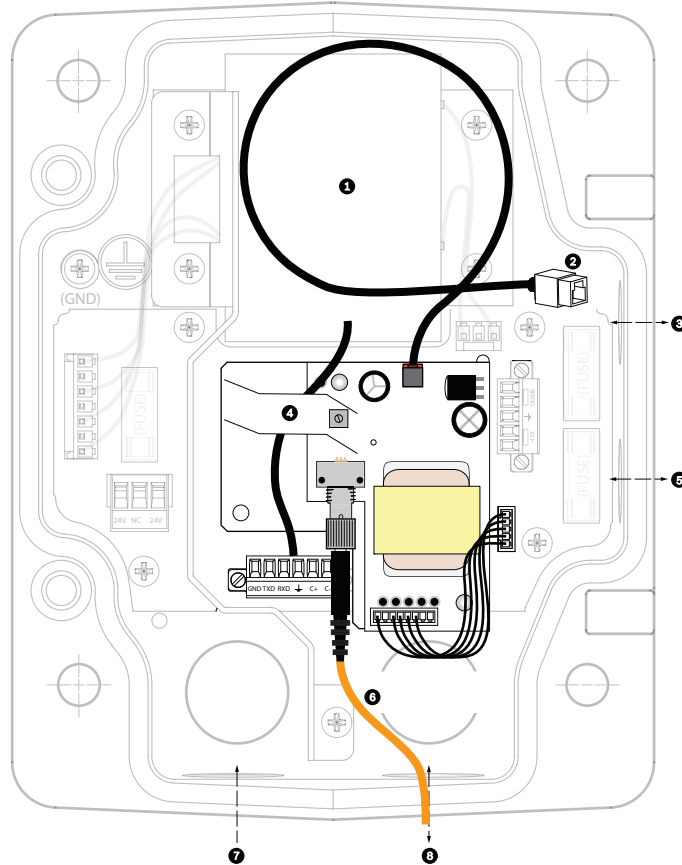


Figure 2.11 Optional Fiber Optic Module

1	Transformer	5	In/Out
2	Ethernet to Dome	6	ST Connector (Fiber)
3	In/Out	7	Power In
4	From Arm Harness	8	Data In/Out

8. Connect the incoming RJ45 connector, installed previously, to its mating connector from the Pendant Connector Harness. See *Section 4 Cable and Wire Standards, page 51* for connections and specifications.
9. Attach the grounding strap of the Pendant Arm to the Power Supply Box. See *Figure 2.10, Page 24*.
10. After making the harness connections to the Power Supply Box, rotate the Pendant Arm to close and seal the Power Supply Box and tighten the two (2) captive screws to 10-12 N-m (90-105 in.-lbs).
11. Refer to *Section 2.9 Attach Pendant to Arm and Tighten, page 31*, to continue the AutoDome Installation procedure.



NOTICE! After all wiring is complete, close the cover door and tighten the two (2) captive screws on the cover door to 10-12 N-m (90-105 in.-lbs) to ensure the Power Supply Box is watertight.

2.8 Installing the VG4-A-ARMPLATE

This section provides instructions to install a wall, corner, or mast mount with the VG4-A-ARMPLATE Mounting Plate instead of a Power Supply Box.



CAUTION!

You must route the main power supply through a 120/230 VAC transformer (VG4-PSU1 or VG4-PSU2 power supply box) before connecting the power to a 24 VAC AutoDome.



WARNING!

A stud diameter of 6.4 mm (1/4 inch) to 8 mm (5/16 inch) able to withstand a 120 kg (265 lb) pull-out force is recommended. The mounting material must be able to withstand this pull out force. For example, 19-mm (3/4-inch) minimum for plywood.

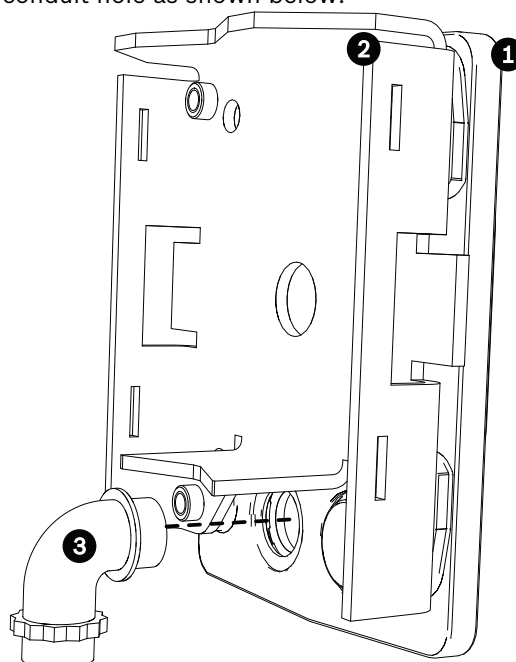
1. For a Corner installation:

- a. Secure the Corner Plate to the wall corner using four (4) studs (not included).
- b. Secure the Mounting Plate to the Corner Plate using the four (4) 3/8 x 1-3/4-inch bolts and split lock washers (supplied).

2. For a Mast or pole installation:

The metal straps included with the Mast mount accommodate a pole with a diameter of 100–380 mm (4–15 in.). You must use a banding tool (sold separately) for a mast or pole installation. In addition, you must obtain a 3/4 in. (20-mm) right angle conduit connector through which you route the wires that connect to the pendant arm.

- a. Follow the instructions provided with the banding tool to securely mount the Mast Plate to the pole. Contact your Bosch Sales Representative to order Banding Tool P/N TC9311PM3T.
- b. Secure the Mounting Plate to the Mast Plate using the four (4) 3/8 x 1-3/4-inch bolts and split lock washers (supplied).
- c. Remove one of the rubber gaskets from the Mounting Plate.
- d. Once the Mounting Plate (item 1, below) is attached to the Mast Plate (item 2), connect the right angle conduit (item 3) to the Mounting Plate through the empty conduit hole as shown below:



3. Ensure that the mounting plate is secure.

2.8.1

Attach the Pendant Arm to the Mounting Plate

The bottom hinge pin of the Pendant Arm is provided with a Hinge Pin Stop to hold the hinge open while attaching the arm to the Mounting Plate.

1. Compress the bottom hinge pin by pushing the pin lever downward and rotating it behind the Hinge Pin Stop.

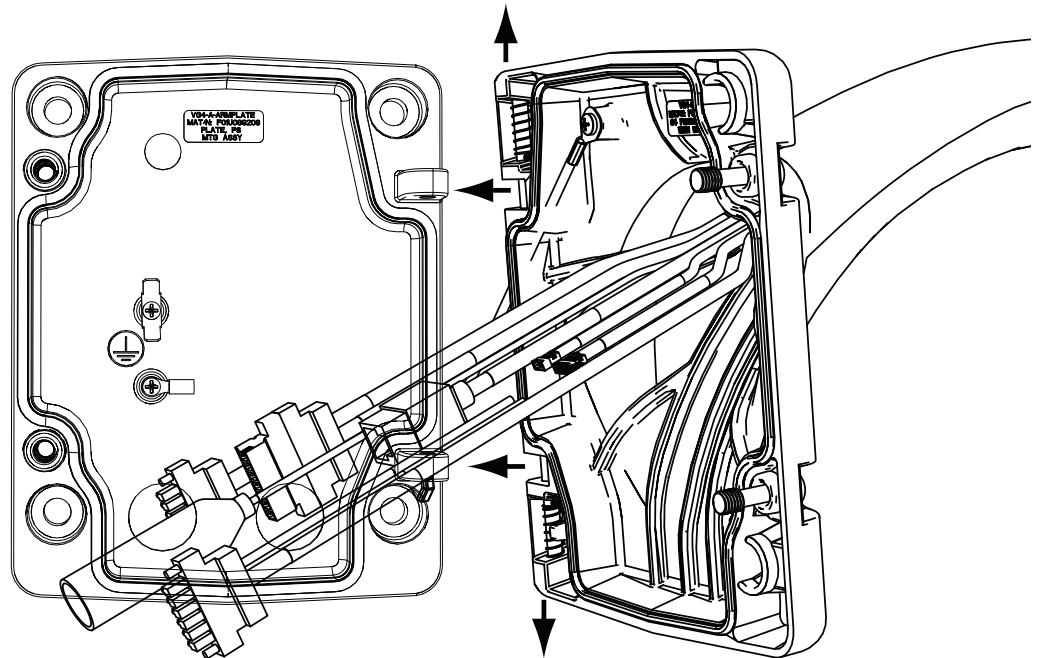


Figure 2.12 Connect Pendant Arm to Mounting Plate

2. Open the top hinge by pushing its pin lever up and holding it.

Note: Both Hinge Pins must be fully compressed to open (unlock) the hinges of the Pendant Arm and before proceeding to the next step.
3. While continuing to hold the top hinge pin open, align the top and bottom hinges of the Pendant Arm to their mating points on the Mounting Plate. See *Figure 2.12*, above, for an illustration.
4. Once you have the hinges aligned, release the top hinge pin to engage its mating hinge on the Mounting Plate. Then release the bottom hinge pin from the Hinge Pin Stop to lock the Pendant Arm to the Mounting Plate.

2.8.2

Route and Connect Wires to a Power Supply Box

The illustration below depicts the power and control cables connected to the Pendant Arm:

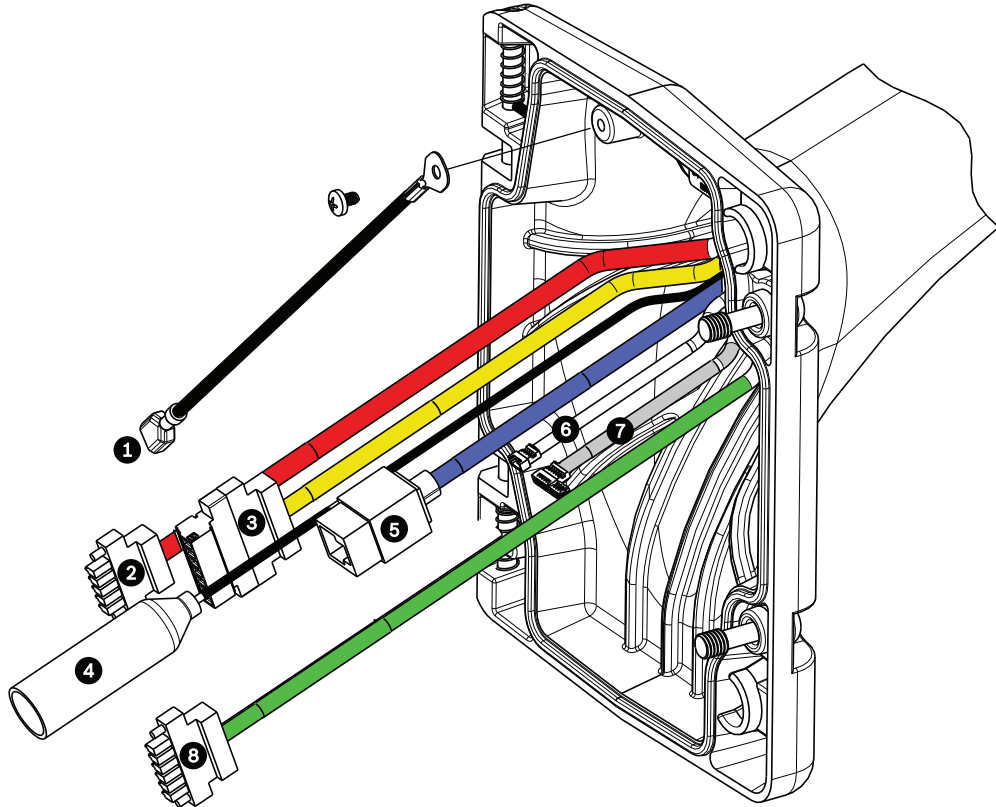


Figure 2.13 Pendant Arm Cables

Cable	Cable	Cable	Cable
1	Grounding Strap (black)	5	Ethernet Video and Control (blue)
2	24 VAC Power (red)	6	Alarm Outputs (white)
3	Relay Contacts (yellow) (not used)	7	Alarm Inputs (gray)
4	Coax Video (black) (not used)	8	Audio In (green)

1. Route all incoming wires through one of the conduits at the bottom of the Mounting Plate. For a mast mount, route all wires through the right-angle conduit.
2. Attach the water-tight plug to the other conduit.
3. Attach the grounding spade terminal (item 1, below) to one of the spade terminals inside the Mounting Plate.

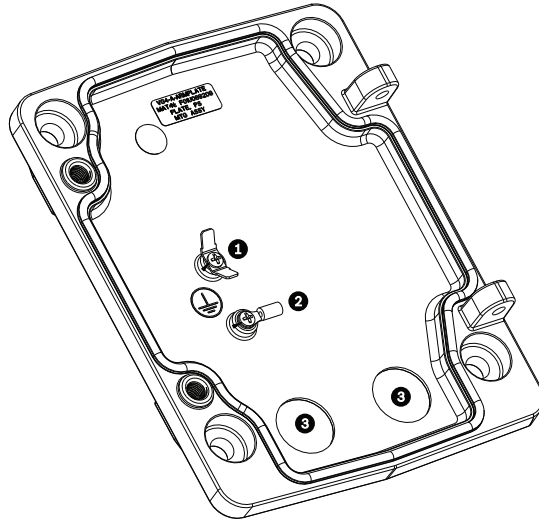
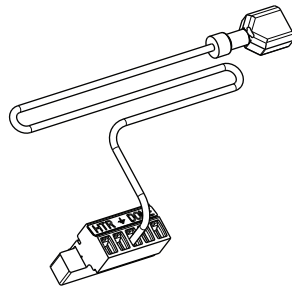


Figure 2.14 Mounting Plate - Inside Detail

Ref.	Description
1	Grounding lug with two spade terminals
2	Earth ground lug with crimp ring terminal
3	Wire input conduit holes

4. Connect the incoming 24 VAC power wires to the 5-pin, 24 VAC Power In mating connector (supplied with the Mounting Plate kit) for the Dome and for the Heater.



5. Attach the grounding spade from the 5-pin mating connector (item 1, *Figure 2.14*) to the other spade terminal inside the mounting plate.
6. Attach the 5-pin Power In mating connector to the 24 VAC Power cable (cable 2) connected to the pendant.
7. Connect the incoming RJ45 video connector, installed previously, to the Ethernet cable (cable 5). Refer to *Section 4 Cable and Wire Standards, page 51*, for detailed wire and connection information.
8. Connect the outgoing alarm wires to the flying leads coming from the 4-pin Alarm Outputs cable (cable 6).
9. Connect the incoming alarms wires to the flying leads coming from the 6-pin Alarm Inputs cable (cable 7).
10. Connect the incoming Audio In wires to the 6-pin mating connector supplied with the VG4-A-ARMPLATE kit. Ensure that the 100 Ω resistor has been removed between C- (Audio -) and the C+ (Audio +) terminals. Refer to *Section 4 Cable and Wire Standards, page 51*, for detailed wire and connection information.
11. Attach the 6-pin Audio In mating connector to the Audio In (cable 8) cable.

12. Connect the Earth ground wire, if available, to the crimp ring terminal inside the Mounting Plate. Refer to *Figure 2.14* above.
Note: The Earth ground is not provided with the VG4-A-ARMPLATE kit; it is a ground connection made at the installed location.
13. After making the harness connections to the Mounting Plate, rotate the Pendant Arm to close and tighten the two (2) captive screws to 10-12 N-m (90-105 in.-lbs).
14. Refer to *Section 2.9 Attach Pendant to Arm and Tighten*, page 31, to continue the AutoDome Installation procedure.



NOTICE! After all wiring is complete, close the cover door and tighten the two (2) captive screws on the cover door to 10-12 N-m (90-105 in.-lbs).

2.9 Attach Pendant to Arm and Tighten



CAUTION!

The bubble is packaged with a protective plastic sheet. It is recommended that the bubble remain stored this way until it is ready to install. Limit handling the bubble, as any scratches can quickly affect visibility.



NOTICE! Before attaching the AutoDome Pendant, visually inspect the dome and arm connectors for any blocked pin holes or bent pins.

1. Tilt the bottom of the dome toward the pendant arm base and place the mounting hook, located on top of the dome housing, over the recessed hinge pin of the arm.

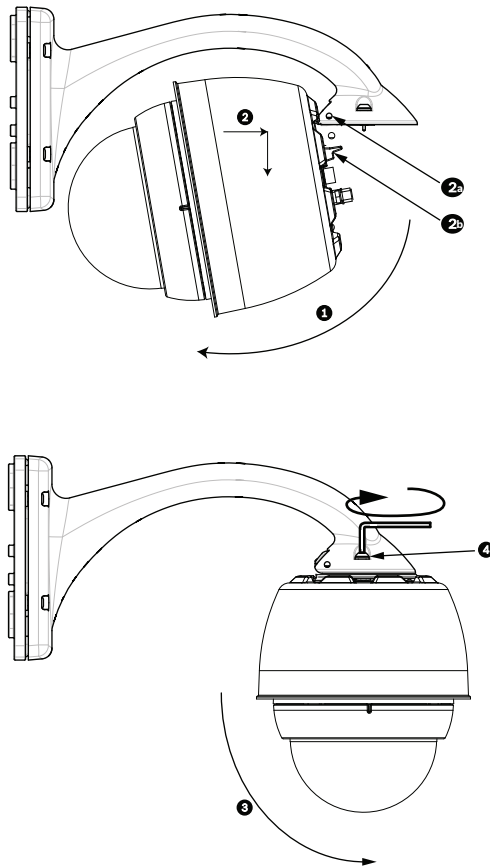


Figure 2.15 Attach Pendant to Arm

1	Tilt up.
2	Hook and drop.
2a	Recessed Hinge Pin
2b	Dome Connector
3	Rotate down to engage dome connector.
4	Tighten the two (2) mounting screws to a minimum torque of 10-12 N·m (90-105 in.-lbs).

2. Drop the dome housing down slightly to engage the dome housing hook on the Pendant Arm hinge pin, allowing the dome to rotate around the pin.
3. Rotate the dome housing down to a vertical position and gently push upward to engage the connector on top of the dome housing.

**CAUTION!**

If you feel any resistance when rotating the dome housing or when engaging the connector, stop immediately and start over.

4. Hold the Pendant housing in position while tightening the two (2) 5-mm Allen head mounting screws on top of the housing to **10-12 N-m (90-105 in.-lbs)**.
-

**CAUTION!**

You must tighten the two mounting screws to a minimum torque of 10-12 N-m (90-105 in.-lbs) to ensure a proper seal between the arm and the housing.

3 Installing Roof Parapet and Pipe Mounts

3.1 Unpacking

This equipment should be unpacked and handled with care. If an item appears to have been damaged in shipment, notify the shipper immediately.

Verify that all the parts listed in the product's Parts List below are included. If any items are missing, notify your Bosch Security Systems Sales or Customer Service Representative. See *Section 1.4 Customer Support and Service, page 13* for Customer Support and Service contact information.

The original packing carton is the safest container in which to transport the unit and must be used if returning the unit for service. Save it for possible future use.

3.1.1 Parts List

The following table lists the parts included with the Roof Parapet and Pipe mount packages:

Mount Kit Options	Part Numbers
Parapet (Roof) Mount and Pipe Mount with one of the following Power Supply Boxes:	VGA-ROOF-MOUNT VG4-A-9543
– Power Supply Box with 120 VAC transformer or 230 VAC transformer	VG4-A-PSU1 VG4-A-PSU2
Optional Flat Roof Mount Adapter for VGA-ROOF-MOUNT Mount (not included)	LTC 9230/01
Pipe Mount with one of the following Power Supply Boxes:	VG4-A-9543
– Power Supply Box with transformer 120 VAC or 230 VAC transformer	VG4-A-PSU1 VG4-A-PSU2
Trim Skirt for Power Supply Box (optional)	VG4-A-TSKIRT
Fiber Optic Ethernet Media Converter kit	VG4-SFPSCKT

3.1.2 Description

This chapter details how to install an AutoDome to a Roof Parapet or to a Pipe mount. Any differences to the installation between these two mounting systems are noted. See *Section 2 Installing the Pendant Arm Wall, Corner, and Mast (Pole) Mounts, page 14* for this type of application.

The VG4-A-9230 Series are stationary mounts intended for rooftop parapet vertical walls. They are made of light weight aluminum with a corrosion-resistant finish and are used for all Bosch AutoDome Camera systems up to a rated load of 29 kg (64 lb). These mounts can be fitted to the inside or outside of parapet walls and can swivel for ease of positioning and for servicing the AutoDome.

3.1.3 Tools Required

- 5 mm Allen wrench (supplied)
- Small straight blade screwdrivers ~ 2.5 mm (0.1 in.) – 3.1 mm (1/8 in.)
- Medium straight blade screwdriver
- No. 1 and No. 2 Phillips screwdrivers
- Socket wrench and 9/16 in. socket
- Pipe Wrench
- Barrel connector (if installing a fiber optic model)

3.2 Pre-installation Check List

1. Determine the location and distance for the power supply box based on its voltage and current consumption. See *Section 4 Cable and Wire Standards, page 51* for wiring information and distances.
2. Use only UL listed liquid tight strain reliefs for conduits to the Power Supply Box to ensure that water cannot enter the box. You must use water tight conduits and fittings to meet NEMA 4 standards.



NOTICE! Power and I/O cabling must be routed separately inside different permanently earthed metal conduits.

3. Install all rough wiring including: power, Ethernet, alarms I/O, relay I/O, and fiber optic cabling. See *Section 4 Cable and Wire Standards, page 51* for video and control protocol methods.



WARNING!

External interconnecting cables are to be installed in accordance to NEC, ANSI/NFPA70 (for US application) and Canadian Electrical Code, Part I, CSA C22.1 (for CAN application) and in accordance to local country codes for all other countries.

Branch circuit protection incorporating a 20 A, 2-pole Listed Circuit Breaker or Branch Rated Fuses are required as part of the building installation. A readily accessible 2-pole disconnect device with a contact separation of at least 3 mm must be incorporated.

4. Choose the appropriate AutoDome model for the environment in which it will be used.
5. Choose the appropriate mounting kit to use depending on the location of the AutoDome: Parapet (Roof) mount or the Pipe mount.



CAUTION!

Select a rigid mounting location to prevent excessive vibration to the AutoDome camera.

3.3 Mount Power Supply Box

Before mounting the Power Supply Box decide if you will be wiring the box through the holes in the bottom or back of the box. If wiring the box through the back, move the two (2) seal plugs to the bottom holes before mounting.



NOTICE! Use 3/4-inch NPS (20-mm) fittings for the holes on the bottom and back of the box. Use 1/2-inch NPS (15-mm) fittings for the side holes. See *Section 3.1.1 Parts List, page 33*, for an illustration.

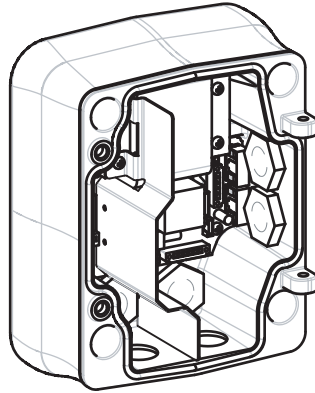


Figure 3.1 Wall Mount Power Supply with Optional Trim Skirt

1. Use the wall mount template supplied in the packaging box to locate the four (4) mounting holes for the Power Supply Box.
2. Drill four (4) holes for the mounting anchors. If installing outdoors, apply a weatherproof sealant around each hole at the mounting surface.
3. Place the Power Supply Box into the optional Trim Skirt.
4. Secure the Power Supply Box to the wall using four (4) corrosion-resistant stainless steel studs (not included).



NOTICE! A stud diameter of 6.4 mm (1/4 in.) or 8 mm (5/16 in.), able to withstand a 120 kg (265 lb) pull-out force is recommended.

5. Attach the 3/4 in. (20 mm) watertight pipe fittings (not supplied) to the holes of the Power Supply Box through which you will run the power, video, and control data wires.

3.3.1

Attach Cover Door

1. Compress the bottom hinge pin by pushing the pin lever down and then rotate it behind the Hinge Pin Stop. The power box Cover Door provides a Hinge Pin Stop to hold the bottom hinge open while attaching the door.

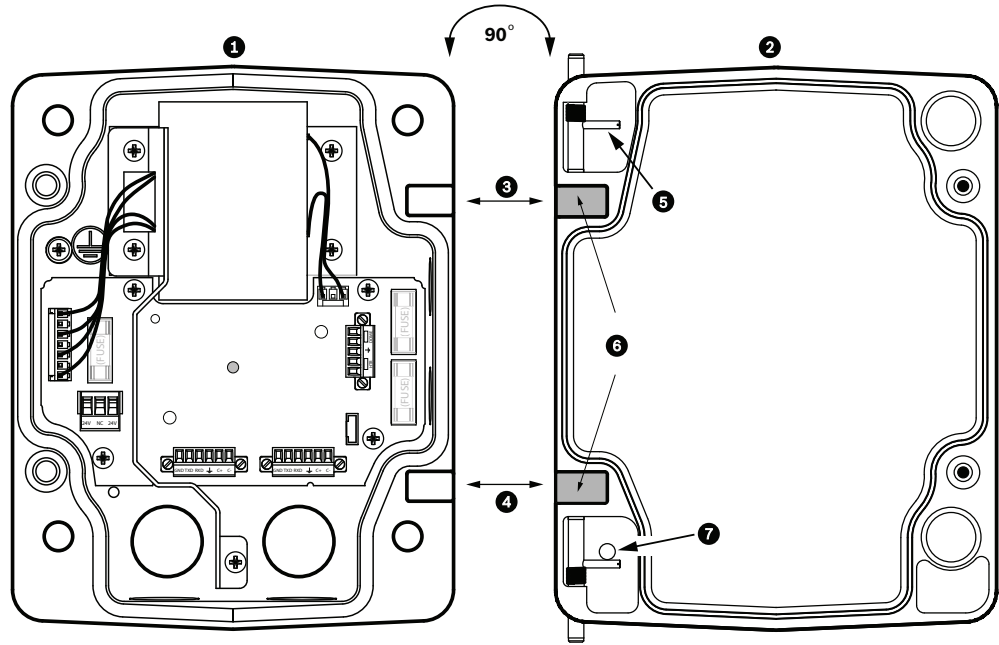


Figure 3.2 Align Cover Door Hinge to Power Box

1	Power Supply Box	5	Hold Hinge Pin Open
2	Cover Door	6	Open Position
3	Align Top Hinge	7	Hinge Pin Stop
4	Align Bottom Hinge		

2. Open the top hinge by pushing its pin lever outward and holding it open.
Note: Both Hinge Pins must be fully compressed to open (unlock) the female hinges of the Cover Door before proceeding to the next step.
3. While holding the top hinge pin open, position the Cover Door to the Power Supply Box and align its hinges.
4. When the hinges are aligned, release the top hinge pin to engage its mating hinge on the power box. Then release the bottom hinge pin from the Hinge Pin Stop to complete attaching the cover door to the Power Supply Box.



NOTICE! After all wiring is complete, close the cover door and tighten the two (2) captive screws on the cover door to 10-12 N-m (90-105 in.-lbs) to ensure the Power Supply Box is watertight.

3.4 Route Wires and Attach Connectors

Power wires must be routed to the left (front) side of the Power Supply Box through a separate conduit. All video, control, and alarm wires must be routed through a second conduit to the right side of the box. See *Section 4 Cable and Wire Standards, page 51* for methods of transmitting video and data, and for wire specifications.



WARNING!

External interconnecting cables are to be installed in accordance to NEC, ANSI/NFPA70 (for US application) and Canadian Electrical Code, Part I, CSA C22.1 (for CAN application) and in accordance to local country codes for all other countries.

Branch circuit protection incorporating a 20 A, 2-pole Listed Circuit Breaker or Branch Rated Fuses are required as part of the building installation. A readily accessible 2-pole disconnect device with a contact separation of at least 3 mm must be incorporated.

There are two possible methods to route the video, control, and alarm wires:

- One is to route the power, ethernet, and alarm wires through the conduit fitting on the right (front) side of the Power Supply Box and out to the AutoDome Interface Board.

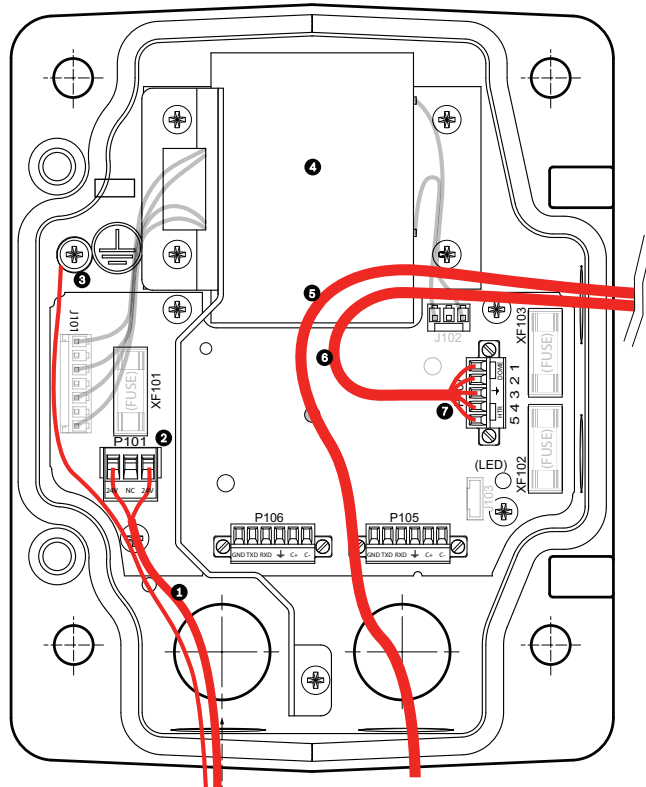


Figure 3.3 VG4-A-PSU1 or VG4-A-PSU2 Power Supply Box

1	120 VAC/230 VAC Power In	5	Ethernet Video and Control Wire
2	P101 Connector	6	24 VAC Power Out
3	Ground Connection	7	P107 Connector
4	Transformer		

- The second method is to bypass the Power Supply Box and route the ethernet and alarm wires directly to the Interface Board. You connect only the power wires inside the Power Supply Box.

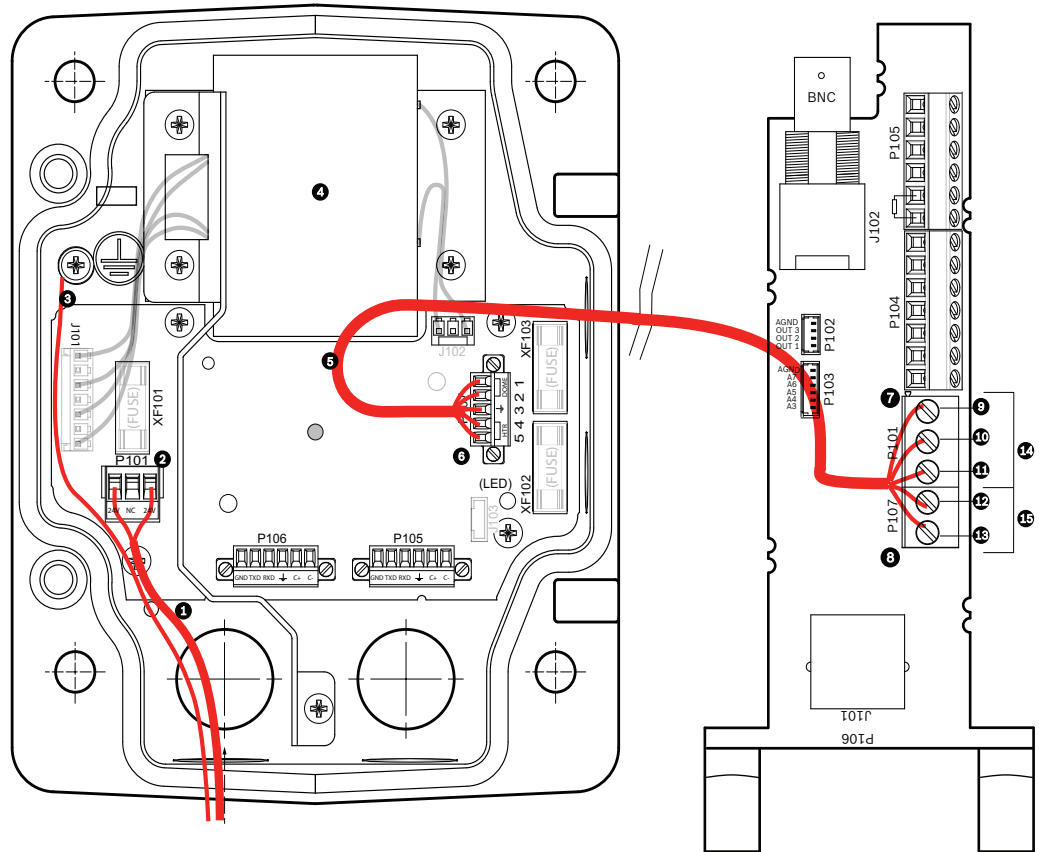


Figure 3.4 VG4-A-PSU1 or VG4-A-PSU2 Power Supply Box Connected to Pipe Interface Board

	VG4-A-PSU1/VG4-A-PSU2		Pipe Interface Board
1	120 VAC/230 VAC Power In	7	P101 Connector
2	P101 Connector	8	P107 Connector
3	Ground Connection	9	24 VAC Power In (to AutoDome)
4	Transformer	10	Earth Ground
5	24 VAC Power Out	11	24 VAC Power In (to AutoDome)
6	P107 Connector	12	24 VAC Power In (to Heater)
		13	24 VAC Power In (to Heater)
		14	AutoDome Power
		15	Heater Power

3.4.1 Wiring the Power Supply Box

1. Route the high voltage 115/230 VAC lines through the conduit fitting on the left side of the box.



NOTICE! The Power Supply Box with transformer comes with a barrier that separates the high voltage side on the left from the low voltage 24 VAC side on the right.

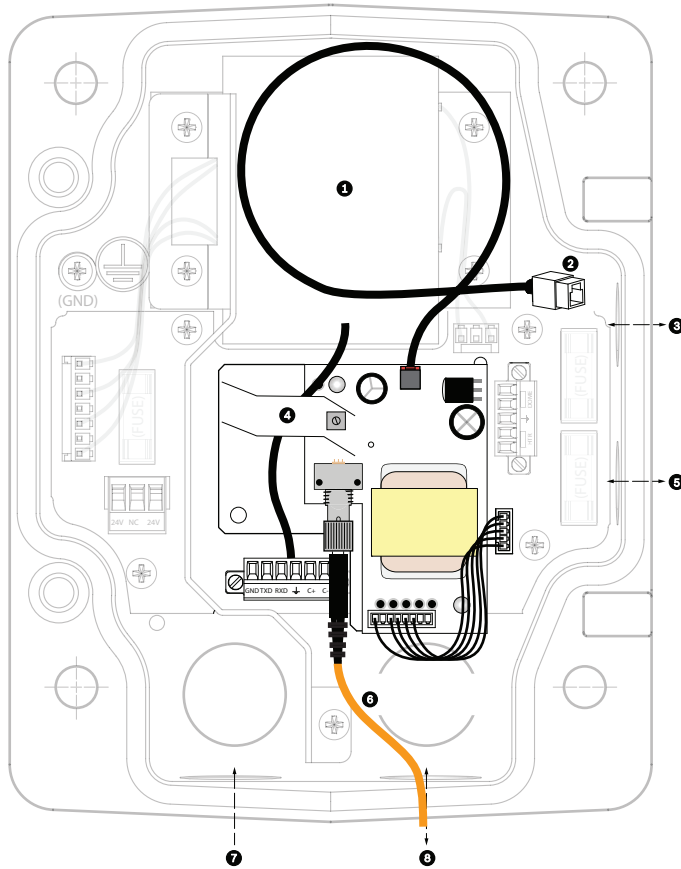
2. Cut and trim the high voltage 115/230 VAC power and ground wires with sufficient slack to reach their connector terminal in the box, but not so long as to be pinched by or to obstruct closing the Cover Door. See *Section 3.1.1 Parts List, page 33*, for connector location.
3. Attach the supplied 3-pin Power Plug to the incoming high voltage power wires in the box. See connector P101 in *Table 3.1, Page 42*.
4. Route the low power 24 VAC wires from the right side of the Power Supply Box out to where the AutoDome will be mounted. Attach the supplied 5-pin 24 VAC Dome plug to the wire ends inside the box. See connector P107 in *Table 3.1, Page 42*.
5. Route the Ethernet cable out to where the AutoDome will be mounted. See *Section 4 Cable and Wire Standards, page 51* for fiber optic specifications.



NOTICE! All ethernet and alarm wires either pass through the Power Supply Box or by-pass it and connect directly to the Pipe Interface Board.

3.4.2 Wiring the Fiber Optic Model

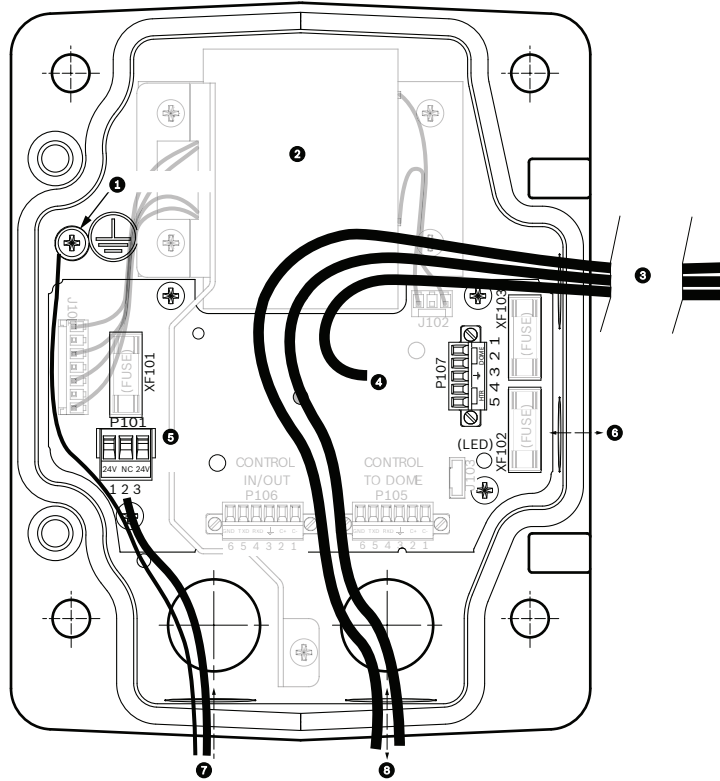
- ▶ If installing a Fiber Optic model, bring the fiber optic cable into the right side of the power supply box.



1	Transformer	5	In/Out
2	Ethernet to Dome	6	ST Connector (Fiber)
3	In/Out	7	Power In
4	From Arm Harness	8	Data In/Out

3.4.3 Power Supply Box Connections

The following figure is a detailed illustration of the Roof or Pipe Mount Power Supply Box, which includes the fuse specifications.



1	Ground Screw	5	Power In
2	Transformer (115/230 VAC Modes)	6	In/Out; 1/2 in. (15 mm) NPS Fitting
3	In/Out to Dome	7	Power In; 3/4 in. (20 mm) NPS Fitting
4	24 VAC to Dome Interface Board	8	Audio and Ethernet Data and Video In/Out; 3/4 in. (20 mm) NPS Fitting



WARNING!

Fuse replacement by qualified service personnel only. Replace with same type fuse.

Fuse Specifications			
Volts	XF101 Mains	XF102 Camera	XF103 Heater
24 V	T 5.0 A	T 2.0 A	T 3.15 A
115 V	T 1.6 A	T 2.0 A	T 3.15 A
230 V	T 0.8A	T 2.0 A	T 3.15 A

The following table lists the Power Supply Box connectors:

No.	Connector	Pin 1	Pin 2	Pin 3	Pin 4	Pin 5	Pin 6
	Ground	Grounding Screw					
P101	115/230 VAC or 24 VAC Power In	Line	NC	Neutral			
P105	Data/Audio	Audio	Audio	Earth Ground	Not Used		
P106	Not Used						
P107	24 VAC Power (Arm Harness)	Dome 24 VAC	Dome 24 VAC	Earth Ground	Heater (24 VAC)	Heater (24 VAC)	

Table 3.1 Power Supply Box Connections

3.5 Installing the VG4-A-9230 Roof Parapet Mount

This section details the installation steps for the Roof Parapet Mount. If you are installing a pipe mount, see *Section 3.6 Installing the VG4-A-9543 Pipe Mount, page 45*, for instructions.

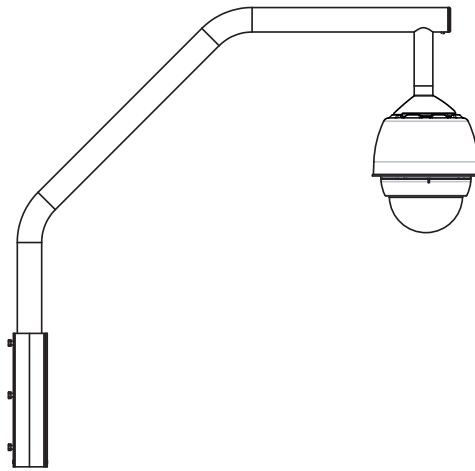


Figure 3.5 VGA-A-9230 Parapet Roof Mount

1. Determine the wall location on the roof for the AutoDome and use the Parapet wall mount bracket as a template to mark the hole locations.



NOTICE! Allow enough room below the Parapet Mount Bracket to route the video, control and alarm wires up through the Parapet arm. In certain installations you may have to lift the Parapet arm for the AutoDome to clear the top of the wall when it is swung into position. Provide enough slack in the wires to rotate the pipe arm over the roof and back when camera maintenance is required.

2. Prepare the mounting surface for the type of fastener by drilling holes for the mounting anchors as required.

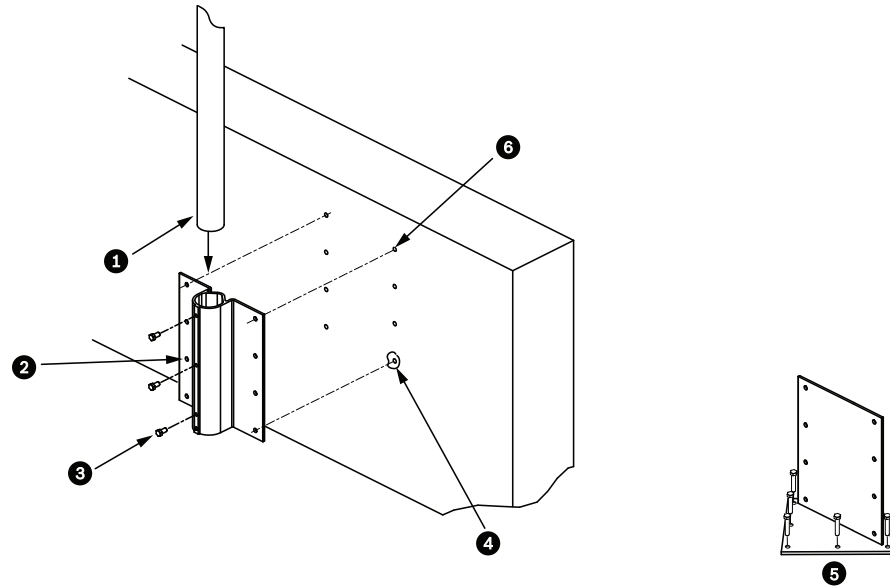


Figure 3.6 Parapet Wall Mount Bracket and Roof Mount Plate

1	Pipearm	4	Apply sealant around each fastener hole
2	Parapet Wall Bracket	5	Roof Mount Plate
3	3/8-16 SS Hex Head Bolt (supplied)	6	Use a minimum of six (6) fasteners (not supplied). Eight (8) fastener holes shown.



NOTICE! Fasteners are not supplied with the Roof Parapet Mount Kit since it depends on the material to which it is attached. The material must accommodate a minimum pull out strength of 275 kg (600 lbs). For example, 19 mm (3/4 inch) minimum for plywood. Fasteners can include bolts, studs, or lag bolts. All fasteners must be made of corrosion-resistant stainless steel, with a diameter of 10 mm (3/8 inch).

All bolts must fully extend through the mounting surface and be secured with a flat washer, lock washer and a nut. All studs must be anchored to concrete or welded to a steel backing plate. Anchor bolts can be used for blind structures where there is no access to the rear.

3. Apply a weatherproof sealant around each fastener hole at the mounting surface.
4. Attach the Parapet Wall Bracket using at least six (6) stainless steel fasteners, three (3) on each side (the bracket has eight (8) holes). Be careful not to over tighten the fasteners because it may strip the threads. If attaching the parapet mount to a flat roof, attach the optional LTC 9230/01 Roof Mount Plate to the roof and then attach the Parapet Wall Bracket to the Roof Mount Plate.
5. Insert the Parapet Pipe Arm into the mounting bracket until it bottoms in the bracket.
6. Remove the End Cap from the front of the arm and feed the video, control, and power wires up through the bottom of the pipe arm and out the front end.

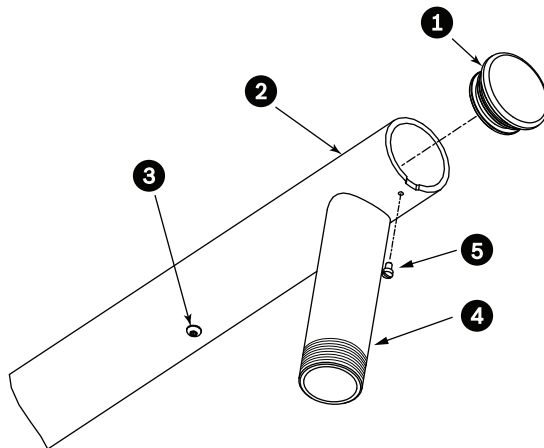


Figure 3.7 VG4-A-9230 Parapet Mount

1	End Cap with O-ring
2	Parapet Pipe Arm
3	1/4-20 SS Cap Screw
4	Down Pipe
5	10-24 SS Pan Head Screw

7. Fold the Ethernet and power wires back at the front end of the arm and route them down and out through the Down Pipe. Then replace the End Cap.
8. Wrap at least five layers of Teflon tape around the Down Pipe threads.
9. Apply the supplied thread sealant to the Down Pipe threads:
 - Make sure all surfaces are clean and dry.
 - Apply a bead of sealant completely around the leading threads of the male fitting.
 - Force the adhesive into the threads to thoroughly fill all voids.
10. Thread the Dome Cap onto the down pipe and tighten securely. See the illustration below.



WARNING!

You must thread the Dome Cap onto the Down Pipe until it is tight. Failure to do so can result in damage, serious injury, or death.

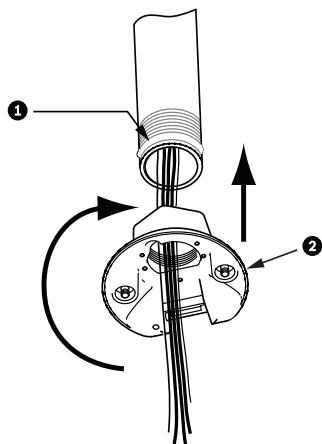


Figure 3.8 Attach Dome Cap

1	Thread Sealant or tape
2	Dome Cap

11. Run a bead of RTV Silicon sealant around the down pipe/Dome Cap interface to seal any gaps between the down pipe and the Dome Cap.

12. Proceed to *Section 3.7 Wire the Pipe Interface Board, page 46.*



NOTICE! Use a guy-wire to aid in stabilizing the Parapet Arm. Replace the 1/4 inch cap screw with a threaded 1/4-inch stainless steel eye bolt (not supplied). Loop the guy-wire through the eye bolt and attach both ends to anchor spots on the roof. See *Figure 3.7, Page 44.*

3.6 Installing the VG4-A-9543 Pipe Mount

This section details the installation steps for the VG4-A-9543 Pipe Mount. If you are installing the Roof Parapet mount, see *Figure 3.7, Page 44,* for instructions.



NOTICE! Customer must supply 1-1/2 inch (NPS) pipe threaded on both ends with a minimum length of 5 inches (12.7 cm).

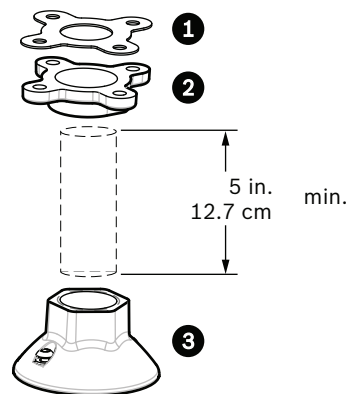


Figure 3.9 Pipe Mount

1	Gasket
2	Flange
3	Cap

1. Before installing the Top-Mounting Flange, ensure there is an adequate opening in the ceiling or mounting structure for the wires to pass through.
2. Secure the pipe Flange with supplied gasket to the ceiling or other supporting structure using four (4) 10-mm (3/8-inch) diameter fasteners.



NOTICE! Each fastener must have a minimum pullout strength of 275 kg (600 lbs). The mounting material must be able to withstand this pull-out force. For example, 19-mm (3/4-inch) minimum for plywood.

3. Attach pipe (not supplied) to the Top-mounting Flange.



WARNING!

You must thread the pipe onto the Top-mounting Flange until it is tight. Failure to do so can result in damage, serious injury or death.

4. Route the power, Ethernet and alarm wires through the Top-Mounting Flange and down the pipe.
5. Wrap at least five layers of Teflon tape around the threads.
6. Apply the supplied thread sealant to the threads on the Pipe.
 - Make sure all surfaces are clean and dry.
 - Apply a bead of sealant completely around the leading threads of the male fitting.
 - Force the adhesive into the threads to thoroughly fill all voids.

- Thread the Pipe Cap onto the down pipe and tighten securely to prevent leaks. See *Figure 3.9, Page 45.*



WARNING!

You must thread the Dome Cap onto the pipe until it is tight. Failure to do so can result in damage or serious injury or death.

3.7 Wire the Pipe Interface Board

This section provides instructions for connecting wires and cables to the Pipe Interface Board, as illustrated below. See *Section 4 Cable and Wire Standards, page 51* for cable and wiring recommendations and specifications.

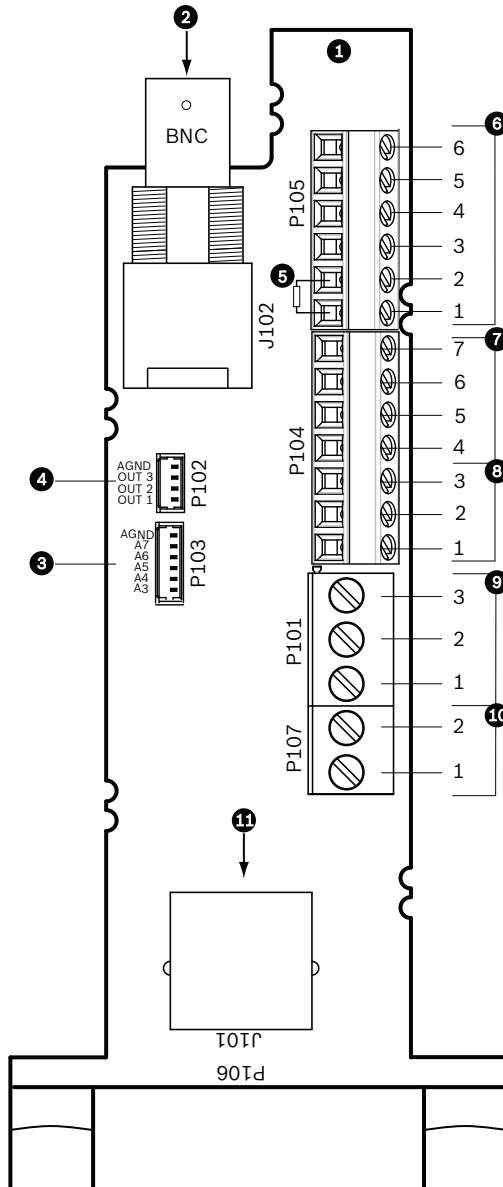


Figure 3.10 Pipe Interface Board Connections

Ref.	Description	Connector	Wire Gauge	Pin	Description
1	Pipe Interface Module				
2	Video Coax In (not used)	J102			

Ref.	Description	Connector	Wire Gauge	Pin	Description
3	6-pin Alarm Input Flying Lead Alarms In (1-2)	P103		1	Alarm In 1
				2	Alarm In 2
				3	Not used
				4	Not used
				5	Not used
				6	Alarm Ground
4	4-pin Alarm Outputs Flying Lead Relay Out (1)	P102		1	Not used
				2	Not used
				3	Relay Out 1
				4	Relay Ground
5	100 Ω Resistor	P105			
6	Audio	P105		1	Audio- (C-)
				2	Audio+ (C+)
				3	NC
				4	NC
				5	NC
					NC
7	Not Used	P104			
8	Not Used	P104			
9	Dome Power	P101	AWG 18-14	3	Dome 24 VAC
				2	Earth Ground
				1	Dome 24 VAC
10	Heater Power	P107	AWG 18-14	2	Heater 24 VAC
				1	Heater 24 VAC
11	RJ45 Ethernet Video and Control	J101			
12	To AutoDome				

3.7.1 Connecting Wires to the Pipe Interface Board

The Pipe Interface Board contains all of the connectors for control, data, image, and power wires. Follow the procedures below to make the proper connections.



WARNING!

Use a 24 VAC Class 2 power supply only.

1. Attach an RJ45 connector plug to the Ethernet cable and connect the plug to its mating connector J101 on the Pipe Interface Board.
2. Attach the control data in/out wires to their respective terminals on the P105 connector on the Pipe Interface Board. See *Figure 3.10, Page 46*, for an illustration of these connections.
3. Connect the 24 VAC power wires to the P101 connector on the Pipe Interface Board. If this model has a heater, connect the 24 VAC heater power wires to connector P107.



CAUTION!

To protect the AutoDome from damage due to cold temperatures, ensure that you connect the 24 VAC heater power wires to the P101 connector.

4. To connect alarm inputs and outputs, attach the supplied 6-pin Alarms In and the 4-pin Alarms Out connector plugs with flying leads to the appropriate alarm wires. Then connect the plugs to their mating connectors P103 and P102 on the Pipe Interface Board.

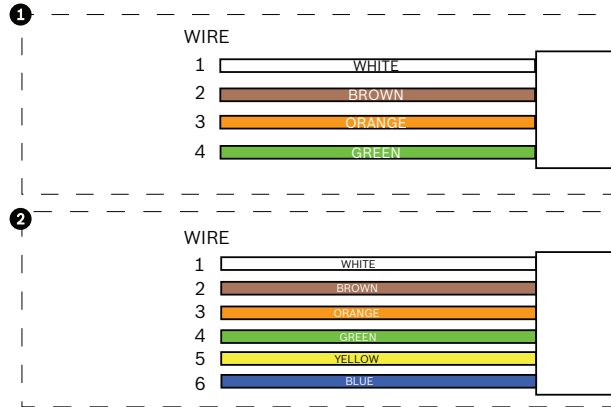


Figure 3.11 Alarm and Relay Connector Plugs

1 4-pin Alarm Output Flying Lead			2 6-pin Alarm Input Flying Lead		
Wire	Color	Description	Wire	Color	Description
1	White	Not used	1	White	Alarm Input 1 (A3)
2	Brown	Not used	2	Brown	Alarm Input 2 (A4)
3	Orange	Relay Out 1	3	Orange	Not used
4	Green	Relay Ground	4	Green	Not used
			5	Yellow	Not used
			6	Blue	Alarm Ground (AGND)

Note: There is a slot located at the top of the Interface Board to tie the wires to the circuit board with a cable tie.

5. Insert the Pipe Interface Board into the down pipe and fasten the three (3) retaining screws to secure the board to the Dome Cap.



CAUTION!

Be careful not to strip the threads when tightening the Pipe Interface Board retaining screws.

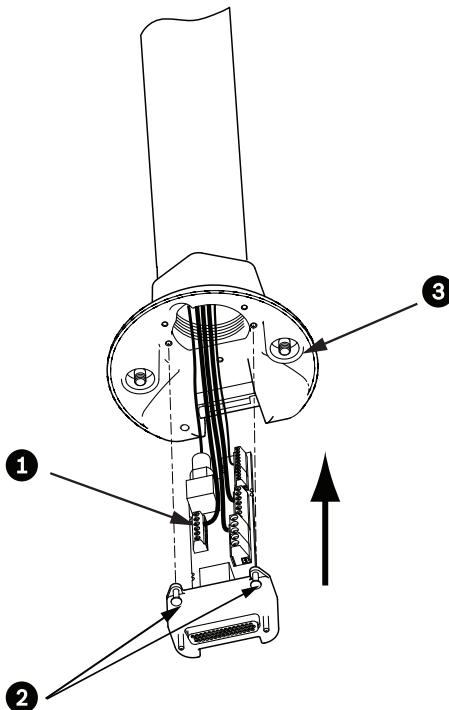


Figure 3.12 Pipe Interface Board to Dome Cap Assembly

1	Interface Board
2	Retaining Screws (3)
3	Pendant Mounting Screws (2)

3.8 Attach Pendant to Pipe and Tighten



CAUTION!

The bubble is packaged with a protective plastic sheet. It is recommended that the bubble remain stored this way until it is ready to install. Limit handling the bubble, as any scratches can quickly affect visibility.

1. Before attaching the Pendant, visually inspect the Pendant dome and the Interface Board connectors for any blocked pin holes and bent pins.
2. Tilt the Pendant enough to place its mounting hook on top of the its housing, over the recessed hinge pin of the Dome Cap.

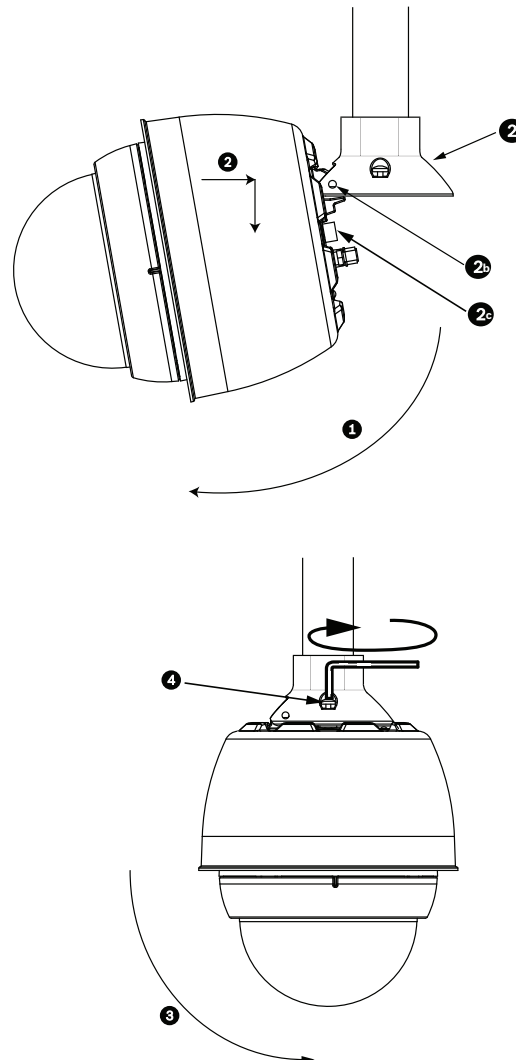


Figure 3.13 Pendant to Roof / Pipe Mount Attachment

1	Tilt Dome.
2	Hook and drop.
2a	Dome Cap
2b	Recessed Hinge Pin
2c	Dome Connector

- | | |
|---|--|
| 3 | Rotate down to engage dome connector. |
| 4 | Tighten the two (2) mounting screws to a minimum torque of 10-12 N-m (90-105 in.-lbs). |
- Drop the Pendant down slightly to engage the dome hook and hinge pin of the Dome Cap, allowing the dome to rotate around the hinge pin.
 - Rotate the dome housing down to a vertical position and gently push upward to engage the connector on top of the dome housing.

**CAUTION!**

If you feel any resistance when rotating the dome housing or when engaging the connector, stop immediately and start over.

- Hold the housing firmly in position and alternately tighten the two (2) 5-mm Allen head mounting screws from above to a torque value of 10-12 N-m (90-105 in.-lbs).

**CAUTION!**

You must tighten the two mounting screws to a minimum torque of 10-12 N-m (90-105 in.-lbs) to ensure a proper seal between the arm and the housing.

- Rotate the arm to swing the AutoDome out from the roof and into position, if installing a Parapet Roof Mount.
- Tighten the three (3) 10-mm (3/8-inch) stainless steel hex bolts on the bracket to lock the Parapet Arm in position. See *Figure 3.13, Page 49*, for an illustration.

**CAUTION!**

Do not over tighten the bolts. The maximum torque is 34 N-m (25 ft-lb).

4 Cable and Wire Standards

4.1 Power

115/230 VAC	
Copper Wire	To comply with local codes.

4.2 Wire Distance Guide for Pendant

24 V to AutoDome				
	VA / Watts	14 AWG (2.5 mm)	16 AWG (1.5 mm)	18 AWG (1.0 mm)
800 Series with IVA, Outdoor	60 / 55	58 m (190 ft)	36 m (119 ft)	23 m (75 ft)

Table 4.1 Maximum Wire Distances from Power Supply to AutoDome

4.3 Video and Control Cables

Ethernet

The AutoDome 800 Series models are connected to a 10/100 Base-T network either directly or via a hub. Both video and control are transmitted over a standard TCP/IP network using the built-in web server.



CAUTION!

Ethernet connections must be made to non-exposed (indoor) networks only.

Cable Type	UTP CAT-5
Maximum Distance	100 m (328 ft)
Bandwidth	10/100 Base-T
Terminal Connector	RJ45

Fiber Optic Ethernet Media Converter

The fiber optic media converter is designed to transmit 10/100 Mbps Ethernet signals over fiber optic cable using 10/100 Mbps Small Form-factor Pluggable (SFP) modules. The SFP modules are available as multi-mode fiber (MMF) or single-mode fiber (SMF) models with a single SC connector or dual-fiber with an LC connector. Refer to the *VG4-SFPSCKT Fiber Optic Media Converter Installation Guide*.

Ethernet Media Converter	
Data Interface	Ethernet
Data Rate	10/100 Mbps IEEE 802.3 Compliant Full Duplex or Half Duplex Electrical Port Full Duplex Optical Port
Fiber Type, MMF	50/125 µm MMF. For 50/125 µm fiber, subtract 4 dB from the specified optical budget value. Must meet or exceed fiber standard ITU-T G.651.

Ethernet Media Converter	
Fiber Type, SMF	8–10/125 μm SMF. Must meet or exceed fiber standard ITU-T G.652.
Maximum Distance	20 km (12.4 miles)
Requirement	Media converter receiver (CNFE2MC/IN) at controller end of system
Terminal Connection	Duplex LC or Single SC

4.4

Audio Cables

The AutoDome 800 Series is capable of receiving line input audio signals and transmitting it over a network. The audio signal is transmitted one-way and in sync with the video signals.

Audio Line Input Specifications

Max. Input Voltage	5.5 Vpp
Impedance	9K ohm
Sample Rate	8 K Hz, 16 Bit, mono
Shield	Bare copper braid: 95% coverage
Internal gain level adjustment is available	

Wire Specifications

Wire Type	Coax (recommended)
Distance	10 m (33 ft)
Gage	22 AWG to connector (P105/P106)
Shield	Bare copper braid: 95% coverage
Center conductor	Stranded bare copper



NOTICE! Separate the audio cables from the AC power lines to avoid noise.

Audio Connections

1. Remove the 100 Ohm termination resistor from the terminals.
2. Connect the audio line level source to the Audio+ (C+) input terminal.
3. Connect the audio signal ground to the Audio- (C-) input terminal.

The following figure illustrates the connections for audio over an IP network.

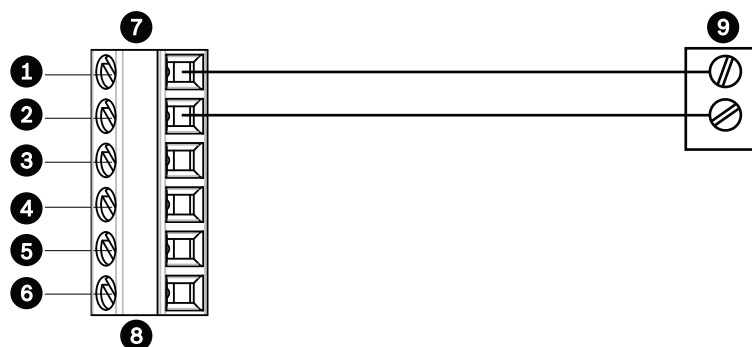


Figure 4.1 Connections for audio over an Ethernet network

1	Audio- (C-)	7	AutoDome Data In/Out
2	Audio+ (C+)	8	P105/P106 Connector
3	Earth Ground	9	Audio Out
4	RxD		
5	TxD		
6	Signal Ground		



NOTICE! See *Section 7.30 Audio, page 90* for audio configuration.

5 Alarms and Relay Connections

5.1 Alarm Inputs

The AutoDome provides two alarm inputs. Each input can be activated by dry contact devices such as pressure pads, passive infrared detectors, door contacts, and similar devices. The table below summarizes the size and distance wires.

Wire Size		Maximum Distance	
AWG	mm	feet	meters
22	0.644	500	152.4
18	1.024	800	243.8

Table 5.1 Alarm wire guide

You wire alarms either Normally Open (N.O.) or Normally Closed (N.C.), and must program the alarm inputs N.O. (the default) or N.C. through the Settings page (refer to *Section 7.39 Alarm Connections, page 95*).

5.2 Connecting Alarms (inputs 1 or 2)

You can configure alarms 1 and 2 as non-supervised Normally Open (N.O.) or Normally Closed (N.C.) alarms.

5.2.1 Connecting a Normally Open Alarm

1. Connect the alarm to the appropriate input (1 or 2) and ground at the AutoDome.



Figure 5.1 N.O. - Normally Open Non-supervised Connections

1	Dry Contact	3	Dome Connector
2	Alarm Inputs 1 to 2	4	Ground

2. From the Alarm Connections page on the Settings Page (*Section 7.39 Alarm Connections, page 95*) the Alarm Input # to N.O. See the table below for contact and condition details.

AutoDome Programmed N.O.	
Circuit	Alarm Indication
Open	Normal
Closed	Alarm

5.2.2 Connecting a Normally Closed Alarm

1. Connect the alarm to the appropriate input (1 or 2) and ground at the AutoDome.

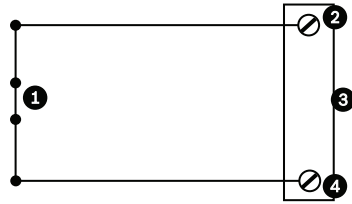


Figure 5.2 N.C. Normally Closed Non-supervised Connections

1	Dry Contact	3	Dome Connector
2	Alarm Inputs 1 to 2	4	Ground

- From the Alarm Connections page on the Settings Page (*Section 7.39 Alarm Connections, page 95*) the Alarm Input # to N.C. See the table below for contact and condition details.

AutoDome Programmed N.C.	
Circuit	Alarm Indication
Open	Alarm
Closed	Normal

5.3 Configuring an Open Collector Output

The AutoDome incorporates one (1) open collector output. This output must be connected to a positive voltage between 5 and 32 V to complete the circuit, with a maximum voltage rating of 32 VDC @ 150 ma.

- Connect the appropriate stripped wire to the open connector (1, 2, or 3) of the transistor.
- Connect the appropriate stripped wire to the ground (GND) connector.

6 Using the AutoDome 800 Series

The AutoDome 800 Series transmits PTZ control commands and images over a TCP/IP network. It also allows users to configure the camera display settings, camera operating settings, and to configure the network parameters.

The IP unit incorporates a network video server in the IP module. The primary function of the server is to encode video and control data for transmission over a TCP/IP network. With its H.264 encoding, it is ideally suited for IP communication and for remote access to digital video recorders and multiplexers. The use of existing networks means that integration with CCTV systems or local networks can be achieved quickly and easily. Video images from a single camera can be simultaneously received on several receivers.

Refer to *Section 9 BVIP Firmware Updates, page 115*, for firmware upgrade instructions.

6.1 Overview of Features

The AutoDome 800 Series includes the following functionality:

Function	Description
Video Encoding	The camera uses the H.264 compression standards and ensures that the data rate remains low even with high image quality and can also be adapted to local conditions within wide limits.
Streaming	Encodes multiple data streams simultaneously according to individually customized profiles. This feature creates data streams that can serve different purposes. For example, one (1) data stream for recording and one (1) data stream optimized for transmission over the Local Area Network (LAN).
Multicast	Enables simultaneous, real-time transmission to multiple receivers. The network must implement the UDP and IGMP V2 protocols as a prerequisite for Multicasting.
Configuration	Allows configuration for all camera settings from a Web browser on the local network (Intranet) or on the Internet. You can also update the firmware, load device configurations, store configuration settings, and copy these settings from one camera to another.
Snapshots	Allows you to take and store individual video frames as JPEG images from the Web browser interface.
Record	Allows configuration for the recording options of the IP module. You can record video from the Livepage to a hard drive or you can opt to store up to 8 MB of video on the IP module.

6.2 System Requirements

The AutoDome 800 Series requires specific software and hardware to allow a user to view live images and to configure camera settings over a TCP/IP network. These requirements are:

- A computer with the Microsoft Windows XP, Vista, or Windows 7 operating system, network access, and the Microsoft Internet Explorer Web browser version 7.0 or later, or
- A computer with Microsoft Windows XP, Vista, or Windows 7 operating system, network access, and reception software such as the Bosch Video Management System or a Bosch recording solution, or
- A compatible hardware decoder from Bosch Security Systems as a receiver and a connected video monitor.

**NOTICE!**

The Web browser must be configured to enable Cookies to be set from the IP address of the unit.

In Windows Vista, deactivate protected mode on the Security tab under Internet Options. You can find notes on using Microsoft Internet Explorer in the online Help in Internet Explorer.

If you choose to use a computer running Microsoft Internet Explorer or any of the Bosch software, the computer must conform to the following minimum requirements:

- Operating System: Windows XP (Service Pack 3), Windows Vista or Windows 7 (32 or 64 bits)
- Processor: Intel Pentium Quad Core, 3.0 GHz or comparable
- RAM: 2048 MB
- Free Hard Disk Space: 10 GB
- Video system: NVIDIA GeForce 8600 or higher display with a minimum of 16-bit color
- Network interface: 100/1000-BaseT
- Software:
 - Microsoft Internet Explorer, version 7.0 or higher
 - Bosch Video Client (BVC)
 - DirectX 9.0c
 - MPEG-ActiveX 5.20.0045 or newer
 - Oracle Java Virtual Machine 1.6.0_26

**NOTICE!**

The Web browser must be configured to enable Cookies to be set from the IP address of the unit. In Windows 7, deactivate protected mode on the Security tab under Internet Options. You can find notes on using Microsoft Internet Explorer in the online Help in Internet Explorer.

For the latest versions of the Bosch Video Client, DirectX, ActiveX, and the Oracle Java Virtual Machine software, go to www.boschsecurity.com, then navigate to the AutoDome 800 Series product page and download the software from the Software tab.

**NOTICE!**

Ensure the graphics card is set to 16-bit or 32-bit color. If you need further assistance, contact your PC system administrator.

6.3

Connecting the AutoDome 800 Series to the PC

1. Install the AutoDome 800 Series according to the instructions in this manual.
2. Connect an Ethernet cable from the AutoDome 800 Series RJ45 connector to a dedicated network switch to bypass the Local Area Network (LAN).
3. Connect the dedicated network switch to the RJ45 connector on the PC (see option A below).

**NOTICE!**

The AutoDome 800 Series can also be connected directly to a PC using an Ethernet crossover cable with RJ45 connectors (see option B below).

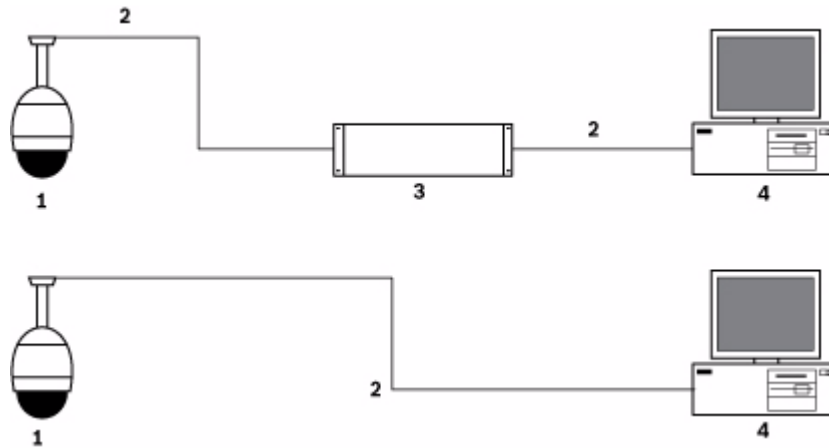


Figure 6.1 AutoDome 800 Series System Configuration

1	AutoDome 800 Series
2	IP Connection
3	Network Switch
4	Computer



NOTICE!

You can also use the Bosch Configuration Manager utility to configure the network settings for an AutoDome 800 Series camera. Go to www.boschsecurity.com to download the Configuration Manager software (part of the BVIP Lite Suite) and Operating Manual.

6.4

Configuring the AutoDome 800 Series Camera

To operate the camera in your network you must assign it a valid network IP address. The default IP address is 192.168.0.1, but you may have to change this address if it conflicts with another device on your network. Refer to *Section 7.3 Basic Mode: Network, page 72* for more information.

To properly configure the camera for your network, you need the following information:

- Unit IP address: An identifier for the camera on a TCP/IP network. For example, 140.10.2.110 is a valid syntax for an IP address.
- Subnet mask: A mask used to determine what subnet an IP address belongs to.
- Gateway IP address: A node on a network that serves as an entrance to another network.
- Port: An endpoint to a logical connection in TCP/IP and UDP networks. The port number identifies the use of the port for use through a firewall connection.



NOTICE!

Ensure that the network parameters of your cameras are available before you begin configuration.

The AutoDome 800 Series defaults are as follows:

- IP Address: 192.168.0.1
- Subnet Mask: 255.255.255.0
- Gateway IP Address: 0.0.0.0

The following sections provide instructions about installing the software necessary to view images over an IP connection, configuring the IP network settings and accessing the AutoDome 800 Series images from a Web browser.

6.4.1 Changing the Network Settings

The AutoDome 800 Series has a default IP address of 192.168.0.1. To change the IP address or any network settings, you can use the Configuration Manager software or the AutoDome 800 Series server.



NOTICE!

Contact your local network administrator for a valid IP address, Subnet Mask, and a Gateway IP Address.

Using the Configuration Manager

Configuration Manager is an optional network utility provided on the Bosch Security Systems Web site. Use the Configuration Manager Manual to make any configuration changes.



NOTICE!

Depending on the PC network security settings, the user may have to add the new IP address to the browser's **trusted sites** list for the IP AutoDome controls to operate.

Using the AutoDome 800 Series Web Server

To configure the camera using the AutoDome 800 Series server, do the following:

1. Set the IP address on the PC to 192.168.0.10 to ensure that the PC and the AutoDome 800 Series are on the same Subnet.
2. Launch Microsoft Internet Explorer and navigate to the following URL: http://192.168.0.1
The Web browser opens the Livepage for the AutoDome 800 Series; a security warning message is displayed.
3. Check the *Always Trust* box, then click **YES**.
4. Click the **Settings** link, located at the top of the Livepage.
5. Click the **Service Settings** link, located in the left pane of the Settings window.
6. Click the **Network** link to open the Network Settings page.

Figure 6.2 Network Settings Page

7. Configure the settings on this page based on the addresses provided by your local network administrator.

**NOTICE!**

Click the **Help on this page?** link if you need more information.

8. Click the Set button to save the settings.
9. Launch another instance of Microsoft Internet Explorer.
10. Type the original IP address followed by /reset (for example, http://192.168.0.1/reset) in the address bar and click Go to restart the AutoDome 800 Series. Once you restart the AutoDome 800 Series, use the new IP Address to access the Livepage.
11. Disconnect the AutoDome 800 Series Ethernet cable from the dedicated network switch and reconnect the Ethernet cable to the local area network (LAN).

6.5

Configuring Intelligent Tracking

The AutoDome utilizes the built-in Intelligent Video Analytics (IVA) to continuously follow an individual or object even if it passes behind a Privacy Mask or a stationary object. The AutoDome uses objects detected by IVA in a stationary preset position to activate the Intelligent Tracking feature. Intelligent Tracking controls the pan/tilt/zoom actions of the camera to keep the selected object in the scene.

To activate the Intelligent Tracking feature, one of the following conditions must be met:

- The Silent IVA option must be selected in the VCA page on the Settings tab. Refer to *Section 7.40 VCA, page 97*.
- IVA must be active for at least one preset scene in the VCA page on the Settings tab. If IVA is configured for one scene, then all other scenes have Intelligent Tracking enabled by default. If a scene, however, has Motion+ of IVA Flow activated then the Intelligent Tracker is disabled for these scenes.

**NOTICE!**

The following actions occur if Intelligent Tracking is active:

- All other IVA objects are disabled in scenes with Intelligent Tracking.
- The camera automatically disables the display of compass headings. Refer to *Page 88* for details of the Compass feature.

6.5.1

Intelligent Tracking Operation

The Intelligent Tracking feature behaves in one of the following ways:

- A user controls the pan/tilt/zoom while the AutoDome is in Intelligent Tracking mode. User actions always take precedence over Intelligent Tracking. If the AutoDome is actively tracking an object and a user takes control, the AutoDome will attempt to track the object after a period of inactivity.
- An IVA alarm can trigger Intelligent Tracking to track a detected object. A rule that triggers an IVA event must be set. The following standard tasks can be set Object in field, Crossing Line, Loitering, Condition change, Following route, Entering field, and Leaving field. Refer to the *Intelligent Video Analysis Operation Guide* for complete details about using IVA.
- A user manually selects an object in the live image area to track. Intelligent Tracking allows a user to click a moving object in the live image display inside the Livepage to identify an object to track.

6.5.2

Guidelines for Implementing Intelligent Tracking

Factors such as the viewing angle and unwanted motion (from trees, for example) may interfere with Intelligent Tracking operation. Use the following recommendations to ensure smooth Intelligent Tracking operation:

- **Mount/Mounting Surface Stability**
 - Mount the camera in the most stable position. Avoid locations affected by vibrations, such as those caused by a roof-top air conditioner. These vibrations may cause complications when the camera zooms-in on a target.
 - Use the pendant arm mount, if possible. This mount option provides the most stability for the camera.
 - Use guy wires to protect against strong winds if using the parapet mount.
- **Field of View**
 - Select a location and viewing angle that allows the flow of people to move across the camera’s field of view.
 - Avoid motion that moves directly towards the camera.
 - Avoid locations that attract large numbers of people, such as retail stores or intersections. Intelligent Tracking is optimized for scenes with very few moving objects.
- **Unwanted Motion**
 - Avoid neon lights, flashing lights, night time lights, and reflected light (from a window or mirror, for example). The flickering of these lights can affect the Intelligent Tracking operation.

6.6

The Livepage

Once the connection is established, the Web browser displays the **Livepage**. It shows the live video image on the right of the browser window. Depending on the configuration, various text overlays may be visible on the live video image.

Other information may be shown next to live video image on the **Livepage**. The display depends on the settings on the **Livepage Configuration** page (see the AutoDome 800 Series online help).

Display Stamping

Various overlays or “stamps” in the video image provide important status information. The overlays provide the following information:



Decoding error. The frame might show artefacts due to decoding errors. If subsequent frames reference this corrupted frame, they might also show decoding errors as well but won’t be marked with the “decoding error” icon.



Alarm flag set on media item



Communication error. Any kind of communication error is visualized by this icon. Cause can be a connection failure to the storage medium, a protocol violation with a sub component or simply a timeout. An automatic reconnection procedure is started in the background in order to recover from this error.



Gap; no video recorded



Watermarking not valid



Watermarking flag set on media item



Motion flag set on media item



Discovery of storage not completed. If the information about recorded video is not cached, a discovery procedure is started in order find all recorded video. During this time, the “discovery” symbol is shown. While discovery is executed, gaps might be shown in places which the discovery has not yet reached. The gap will automatically be replaced by the true video, as soon as the correct information is available.

Maximum Number of Connections

If you do not connect, the unit may have reached its maximum number of connections. Depending on the unit and network configuration, each AutoDome 800 Series can have up to 25 Web browser connections or up to 50 connections via the Bosch Video Management System.

Protected AutoDome 800 Series

If the AutoDome 800 Series is password protected against unauthorized access, the Web browser displays a corresponding message and prompts you to enter the password when you attempt to access protected areas.



NOTICE!

An AutoDome 800 Series offers the option to limit the extent of access using various authorization levels (see the AutoDome 800 Series online help).

1. Enter the user name and associated password in the corresponding text fields.
2. Click **OK**. If the password is entered correctly, the Web browser displays the page that was called up.

Protected Network

If a RADIUS server is employed in the network for managing access rights (802.1x authentication), the AutoDome 800 Series must be configured accordingly, otherwise no communication is possible.

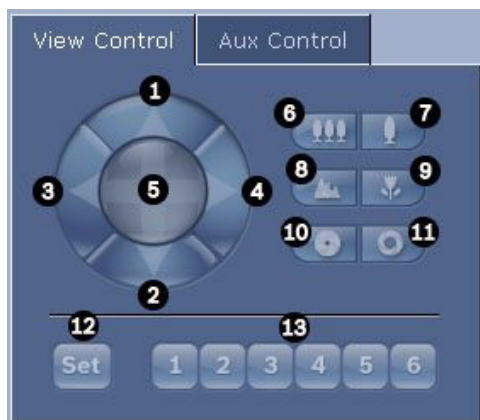
Image Selection

You can view the image of the camera in different displays.

- ▶ Click one of the tabs **Stream 1**, **Stream 2**, or **M-JPEG** below the video image to toggle between the different displays of the camera image. To display an I-frame only stream, refer to *Section 7.15 Livepage Functions, page 78*.

View Control

The View Control tab allows you to control camera functions (pan, tilt, zoom, focus, and iris), navigate through on-screen menus and to view preset shots.



Reference #	Description	Reference #	Description
1	Tilts the camera up	8	Focus far ²
2	Tilts the camera down	9	Focus near ²
3	Pans the camera to the left	10	Iris close ²
4	Pans the camera to the right	11	Iris open ²
5	Pans and tilts the camera in all directions	12	Sets the PTZ speed for controls 1, 2, 3, 4, 5, 6, and 7
6	Zoom out ¹	13	Moves the camera to pre-set shot numbers 1, 2, 3, 4, 5, and 6
7	Zoom in ¹		

1. This function is also accessible by using the mouse scroll wheel while in the Live video frame.

2. This button is also used as the "Enter" button to select menu items from the AUX tab.

- 1. To control a peripheral, click the appropriate controls.
- 2. Move the mouse cursor over the video image. Additional options for controlling peripherals are displayed with the mouse cursor.
- 3. To manually pan throughout the image area, move your cursor over any part of the live video. The image area displays a directional arrow (⬅️➡️⬆️⬆️⬆️➡️➡️➡️), then click and hold the right mouse key to pan the camera.

Digital I/O

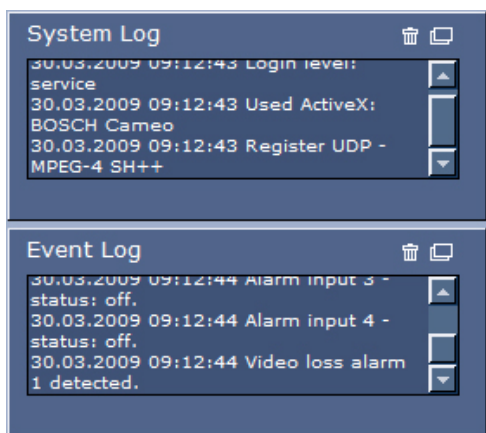
The alarm icon is for information purposes and indicates the status of an alarm input: When an alarm is triggered, the icon lights up blue. The device's configuration determines whether the alarm is displayed, as well as additional details (see the AutoDome 800 Series online help).

Triggering Relay

You can switch connected units using the relays in the AutoDome 800 Series (for example lights or door openers).

- To activate this, click the icon for the relay next to the video image. The icon will be red when the relay is activated.

System Log / Event Log



The **System Log** field contains information about the operating status of the AutoDome 800 Series and the connection. You can save these messages automatically in a file (see the AutoDome online help).

Events such as the triggering or end of alarms are shown in the **Event Log** field. You can save these messages automatically in a file (see the AutoDome online help).

1. If you want to delete the entries, click the delete icon in the top right-hand corner of the relevant field.
2. If you want to view a detailed log, click the icon in the top right-hand corner of the relevant field. A new window will open.

6.6.1

Entering a Keyboard Control Command

The Aux Control tab is used to enter keyboard control commands. These commands are composed of a command number plus the appropriate function key (Show Shot, Set Shot Aux On or Aux Off). A valid combination either issues a command to the camera or displays an on-screen menu.

Aux Control Tab

The Aux Control tab is used to enter pre-programmed keyboard control commands.

See *Section A Keyboard Commands by Number, page 116*, for a list of all commands.

To access the Aux Control tab, navigate to the Livepage and click the Aux Control tab (see *Figure 6.3* below).

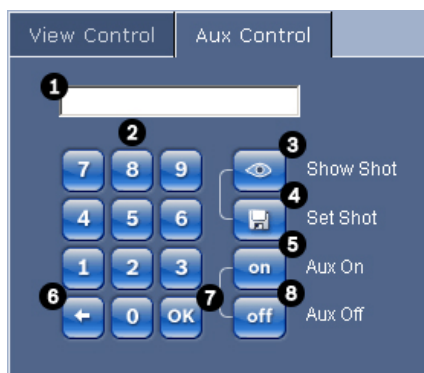


Figure 6.3 Aux Control Tab

1	Command number field
2	Keypad (numbers 0-9)
3	Show a preset shot
4	Set a preset shot
5	Initiates a command
6	Deletes a number in the Command Number field
7	Used to select a menu item
8	Stops a command

To Enter a Keyboard Control Command:

1. Place the cursor in the Command Number field.
2. Click the desired command number via the on-screen keypad.
3. Click either the Aux On or the Aux Off button to initiate or stop the command.
4. If the command initiates a menu, use the Up/Down arrows on the View Control to navigate the menu. Click the Focus or Iris button to select a menu item.

To Set a Preset Shot:

Preset shots (or scenes) are camera positions that are saved in memory for future use.

1. Move your cursor over the live image and wait for the area to display a directional arrow.
2. Click and hold a mouse button to pan to the desired position you want to save.
3. Click any number combination from 1-99 from the on-screen keypad to identify the scene number.
4. Click the Set Shot button. The image area displays a message that indicates which shot number was saved.

To View a Preset Shot:

1. Click the number of the scene you want to view using the on-screen keypad.
2. Click the Show Shot button.

**NOTICE!**

For more information about the AutoDome 800 Series settings and controls, click the **Help on this page?** link to open the AutoDome 800 Series online help.

6.6.2**Using Intelligent Tracking**

Intelligent Tracking continuously follows an individual or an object. Intelligent Tracking operates by recognizing an object in motion and zooms-in to approximately 50% of the field of view for an average target height of six feet. Refer to *Section 6.5 Configuring Intelligent Tracking, page 60*, for details about activating the Intelligent Tracking feature.

Note: If you do not see these controls on the Livepage, ensure that the Enable AutoTrack option is selected on the Livepage Functions page in the Settings tab. Refer to *Section 7.15 Livepage Functions, page 78*.

Use the following options to control Intelligent Tracking:

- **Off:** Disables Intelligent Tracking.
- **Auto:** Enables Intelligent Tracking. Constantly monitors for and actively tracks motion.
- **Click:** Click on a moving target in the live video image to enable the AutoDome to track the movement of the selected target.

**NOTICE!**

When Intelligent Tracking is activated, the AutoDome disables the display of the compass heading. Once Intelligent Tracking is set to Off, the AutoDome resumes display of the compass heading. Refer to *Page 88* for details of the Compass feature.

If the Intelligent Tracking feature is set to Auto or Click, the live video image displays an eye icon in a color that conveys the state of the Intelligent Tracking:

- **White:** SEEK mode
Intelligent Tracking is actively seeking a target to follow.
- **Pink:** IDLE mode
Intelligent Tracking lost the selected target and will wait for the target to reappear using the last known trajectory.
- **Black:** ACTIVE mode
Intelligent Tracking is actively tracking a target.
- **Yellow:** PASSIVE mode
Intelligent Tracking attempts to passively track a target while a user has camera control.

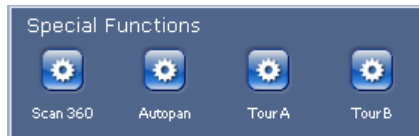
Several reasons may cause the Intelligent Tracking to stop tracking a target:

- The target has stopped moving while being followed by Intelligent Tracking.
- The target has moved behind a static object in the scene.

In these instances Intelligent Tracking switches to the IDLE mode (pink eye icon) and waits for the target to reappear in the scene. The camera will restart tracking if a target starts moving in the same area where the initial target stopped moving or if the camera detects an object moving along the last known trajectory.

6.6.3**Using Special Functions**

The AutoDome offers several special command buttons on the Livepage.



Scan 360

Click this button to start a continuous 360° pan. To stop the continuous pan, click a directional control in the View Control tab.

Autopan

Click this button to pan the AutoDome between user-defined limits. To set the left and right pan limits, refer to *Section 7.24 PTZ Settings, page 87*, so set the Autopan limits. To stop the continuous pan, click a directional control in the View Control tab.

Tour A / Tour B

Click one of these buttons to start the playback of a recorded (guard) tour. A Recorded Tour saves all manual camera movements made during the recording, including its rate of pan, tilt and zoom speeds and other lens setting changes. Refer to *Section 7.24 PTZ Settings, page 87*, to program a recorded tour. To stop a tour, click a directional control in the View Control tab.

6.7 Saving Snapshots

You can save individual images from the video sequence currently shown on the **Livepage** in JPEG format on your computer's hard drive. The icon for recording single images is only visible if the unit is configured to enable this process.

- ▶ Click the icon. The storage location depends on the configuration of the AutoDome 800 Series.



6.8 Recording Video Sequences

You can save sections of the video sequence currently shown on the **Livepage** on your computer's hard drive. The icon for recording video sequences is only visible if the unit is configured to enable this process.

1. Click the icon to start recording. The storage location depends on the configuration of the AutoDome 800 Series. A red dot in the icon indicates that recording is in progress.



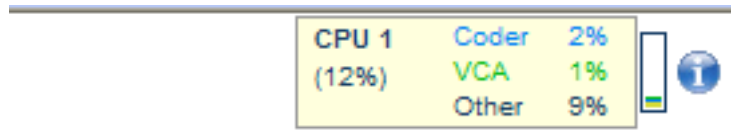
2. Click the icon again to stop recording.
3. To change the storage location for the recorded video, navigate to the Livepage settings on the Settings page.

Image Resolution

Sequences are saved at the resolution that has been preset in the configuration for the encoder (see *Section 7.3 Basic Mode: Network, page 72*).

6.9 Processor Load

If the AutoDome 800 Series is accessed via the Web browser, you will see the processor load indicator in the top left of the window next to the manufacturer's logo.



You can obtain additional information to help when you troubleshoot or fine-tune the unit. The values indicate the proportions of the individual functions on the encoder load, shown as percentages.

- ▶ Move the cursor over the graphic indicator. Some additional numerical values are also displayed.

6.10 Recordings page

Click **Recordings** to access the **Recordings** page from the **Livepage** or **Settings** page (the **Recordings** link is only visible if a storage medium has been selected).

Selecting Recordings

All saved sequences are displayed in a list. A track number is assigned to each sequence. Start time and stop time, recording duration, number of alarms, and recording type are displayed. To play back recorded video sequences:

1. Select **Recording 1** or **2** in the drop-down menu. (The contents for 1 and 2 are identical, only the quality and location may be different.)
2. Use the arrow buttons to browse the list.
3. Click a track. The playback for the selected sequence starts.

Export to FTP

Click **Export to FTP** to send the current track to the FTP server. If required, change the times within the selected range.

6.10.1 Controlling playback






A time bar below the video image allows quick orientation. The time interval associated with the sequence is displayed in the bar in gray. A green arrow above the bar indicates the position of the image currently being played back within the sequence.

The time bar offers various options for navigation in and between sequences.

- Change the time interval displayed by clicking the plus or minus icons. The display can span a range from two months to a few seconds.
- If required, drag the green arrow to the point in time at which the playback should begin.
- Red bars indicate the points in time where alarms were triggered. Drag the green arrow to navigate to these points quickly.

Control playback by means of the buttons below the video image. The buttons have the following functions:

-  Start/Pause playback
-  Jump to start of active sequence or to previous sequence
-  Jump to start of the next video sequence in the list


Slide control

Continuously select playback speed by means of the speed regulator:



Bookmarks

In addition, set markers in the sequences, so-called bookmarks, and jump directly to these. These bookmarks are indicated as small yellow arrows above the time interval. Use the bookmarks as follows:

-  Jump to the previous bookmark



Set bookmark



Jump to the following bookmark

Bookmarks are only valid while in the Recordings page; they are not saved with the sequences. All bookmarks are deleted when leaving the page.

7 Configuring the AutoDome 800 Series

The **SETTINGS** page provides access to the configuration menu, which contains all the unit's parameters arranged in groups. You can view the current settings by opening one of the configuration screens. You can change the settings by entering new values or by selecting a predefined value from a list field.

There are two options for configuring the unit or checking the current settings:

- Basic mode
- Advanced mode

In **Basic Mode** the most important parameters are arranged in seven groups. This allows you to change the basic settings with just a few entries and then put the device into operation.

Advanced Mode is recommended for expert users or system support personnel. You can access all unit parameters in this mode. Settings that affect the fundamental functionality of the unit (such as firmware updates) can only be altered in the advanced mode.

All parameter groups are described in this chapter in the order in which they are listed in the configuration menu, from the top of the screen to the bottom.



CAUTION!

The settings in the advanced mode should only be processed or modified by expert users or system support personnel.

All settings are backed up in the AutoDome 800 Series memory so they are not lost even if the power fails.

Starting Configuration

- ▶ Click the **SETTINGS** link in the upper section of the window. The Web browser opens a new page with the configuration menu.

Navigation

1. Click one of the menu items in the left window margin. The corresponding submenu is displayed.
2. Click one of the entries in the submenu. The Web browser opens the corresponding page.

Making Changes

Each configuration screen shows the current settings. You can change the settings by entering new values or by selecting a predefined value from a list field.

- ▶ After each change, click **Set** to save the change.
-



CAUTION!

Save each change with the associated **Set** button.

Clicking the **Set** button saves the settings only in the current field. Changes in any other fields are ignored.

7.1 Basic Mode: Device Access

Camera name

You can give the AutoDome 800 Series a name to make it easier to identify. The name makes the task of administering multiple units in larger video monitoring systems easier, for example using the Bosch Video Management System programs.

The device name is used for the remote identification of a unit, in the event of an alarm for example. For this reason, enter a name that makes it as easy as possible to quickly identify the location.

**CAUTION!**

Do not use any special characters, for example **&**, in the name.

Special characters are not supported by the system's internal recording management and may therefore result in the Player or Archive Player being unable to play back the recording.

Password

An AutoDome 800 Series is generally protected by a password to prevent unauthorized access to the unit. You can use different authorization levels to limit access.

The AutoDome 800 Series operates with three authorization levels: **service**, **user** and **live**.

The highest authorization level is **service**. After entering the correct password, you can access all the functions of the AutoDome 800 Series and change all configuration settings.

With the **user** authorization level, you can operate the unit and also control cameras, for example, but you cannot change the configuration.

The lowest authorization level is **live**. It can only be used to view the live video image and switch between the different live image displays.

You can define and change a password for each authorization level if you are logged in as **service** or if the unit is not password protected.

Enter the password for the appropriate authorization level here.

**NOTICE!**

Proper password protection is only guaranteed when all higher authorization levels are also protected with a password. If a **live** password is assigned, for example, a **service** and a **user** password must also be set. When assigning passwords, you should therefore always start from the highest authorization level, **service**, and use different passwords.

Confirm password

In each case, enter the new password a second time to eliminate typing mistakes.

**NOTICE!**

A new password is only saved when you click the **Set** button. You should therefore click the **Set** button immediately after entering and confirming a password.

7.2

Basic Mode: Date/Time

Device date/Device time/Device time zone

If there are multiple devices operating in your system or network, it is important to synchronize their internal clocks. For example, it is only possible to identify and correctly evaluate simultaneous recordings when all units are operating on the same time. If necessary, you can synchronize the unit with your computer's system settings.

- ▶ Click the **Sync to PC** button to copy your computer's system time to the AutoDome 800 Series.

Time server IP address

The AutoDome 800 Series can receive the time signal from a time server using various time server protocols, and then use it to set the internal clock. The unit polls the time signal automatically once every minute.

- ▶ Enter the IP address of a time server here.

Time server type

Select the protocol that is supported by the selected time server. Preferably, you should select the **SNTP server** as the protocol. This supports a high level of accuracy and is required for special applications and subsequent function extensions.

Select **Time server** for a time server that works with the protocol RFC 868.

7.3 Basic Mode: Network

The settings on this page are used to integrate the AutoDome 800 Series into an existing network.

Some changes only take effect after the unit is rebooted. In this case, the **Set** button changes to **Set and Reboot**.

1. Make the desired changes.
2. Click the **Set and Reboot** button. The AutoDome 800 Series is rebooted and the changed settings are activated.



CAUTION!

If you change the IP address, subnet mask or gateway address, the AutoDome 800 Series is only available under the new addresses after the reboot.

DHCP

If a DHCP server is employed in the network for the dynamic assignment of IP addresses, you can activate acceptance of IP addresses automatically assigned to the AutoDome 800 Series. Certain applications (VIDOS, Bosch Video Management System, Archive Player, Configuration Manager) use the IP address for the unique assignment of the unit. If you use these applications, the DHCP server must support the fixed assignment between IP address and MAC address, and must be appropriately set up so that, once an IP address is assigned, it is retained each time the system is rebooted.

IP address

Enter the desired IP address for the AutoDome 800 Series in this field. The IP address must be valid for the network.

Subnet mask

Enter the appropriate subnet mask for the selected IP address here.

Gateway address

If you want the unit to establish a connection to a remote location in a different subnet, enter the IP address of the gateway here. Otherwise leave the box blank (**0.0.0.0**).

7.4 Basic Mode: Encoder

Default profile

You can select a profile for encoding the video signal.

You can use this to adapt the video data transmission to the operating environment (for example network structure, bandwidth, data load).

Pre-programmed profiles are available, each giving priority to different perspectives. When selecting a profile, details are displayed in the list field.

- **HD high quality / low latency**
 - Target bit rate: 5000 kbps
 - Maximum bit rate: 10000 kbps
 - Encoding interval: 30.00 ips
- **HD high quality**
 - Target bit rate: 3500 kbps
 - Maximum bit rate: 7000 kbps
 - Encoding interval: 30.00 ips

- **HD low bandwidth**
Target bit rate: 2500 kbps
Maximum bit rate: 5000 kbps
Encoding interval: 30.00 ips
- **SD high quality / low latency**
Target bit rate: 2000 kbps
Maximum bit rate: 4000 kbps
Encoding interval: 30.00 ips
- **SD high quality**
Target bit rate: 1500 kbps
Maximum bit rate: 3000 kbps
Encoding interval: 30.00 ips
- **SD low bandwidth**
Target bit rate: 700 kbps
Maximum bit rate: 1500 kbps
Encoding interval: 30.00 ips
- **DSL**
Target bit rate: 400 kbps
Maximum bit rate: 500 kbps
Encoding interval: 30.00 ips
- **ISDN (2B)**
Target bit rate: 80 kbps
Maximum bit rate: 100 kbps
Encoding interval: 30.00 ips

7.5 Basic Mode: Audio

You can set the gain of the audio signals to suit your specific requirements. The current video image is shown in the small window next to the slide controls to help you check the audio source and improve assignments. Your changes are effective immediately.

If you connect via Web browser, you must activate the audio transmission on the **Livepagee Functions** page (see *Section 6.6 The Livepage, page 61*). For other connections, the transmission depends on the audio settings of the respective system.

Audio

The audio signals are sent in a separate data stream parallel to the video data, and so increase the network load. The audio data are encoded according to G.711 and require an additional bandwidth of approx. 80 kbps for each connection. If you do not want any audio data to be transmitted, select **Off**.

Line In

You can set the line input gain. Make sure that the display does not go beyond the green zone during modulation.

7.6 Basic Mode: Recording

You can record the images from the AutoDome 800 Series on various local storage media or on an appropriately configured iSCSI system.

Here you can select a storage medium and immediately start the recording.

Storage medium

1. Select the required storage medium from the list.
2. Click the **Start** button to start the recording immediately.

7.7 Basic Mode: System Overview

The data on this page are for information purposes only and cannot be changed. Keep a record of this information in case technical assistance is required.

**NOTICE!**

You can select all required text on this page with the mouse and copy it to the clipboard with the [Ctrl]+[C] key combination, for example if you want to send it via e-mail.

7.8 Advanced Mode: General

7.9 Identification

Camera ID

Each AutoDome 800 Series should be assigned a unique identifier that you can enter here as an additional means of identification.

Camera Name

The camera name makes it easier to identify the remote camera location, in the event of an alarm for example. It will be displayed in the video screen if configured to do so. The camera name makes the task of administering cameras in larger video monitoring systems easier, for example using the VIDOS or Bosch Video Management System programs.

Enter a unique, unambiguous name for the camera in this field. You can use both lines for this.

**CAUTION!**

Do not use any special characters, for example **&**, in the name.

Special characters are not supported by the system's internal recording management and may therefore result in the Player or Archive Player being unable to play back the recording.

You can use the second line for entering additional characters; these can be selected from a table.

1. Click the icon next to the second line. A new window with the character map is opened.
2. Click the required character. The character is inserted into the **Result** field.
3. In the character map, click the **<<** and **>>** icons to move between the different pages of the table, or select a page from the list field.
4. Click the **<** icon to the right of the **Result** field to delete the last character, or click the **X** icon to delete all characters.
5. Now click the **OK** button to apply the selected characters to the second line of the **Camera 1** parameters. The window will close.

Initiator extension

You can attach your own text to the initiator name of the AutoDome 800 Series to make the unit easier to identify in large iSCSI systems. This text is added to the initiator name, separated from it by a full stop. You can see the initiator name in the System Overview page.

7.10 Password

An AutoDome 800 Series is generally protected by a password to prevent unauthorized access to the unit. You can use different authorization levels to limit access.

**NOTICE!**

Proper password protection is only guaranteed when all higher authorization levels are also protected with a password. If a **live** password is assigned, for example, a **service** and a **user** password must also be set. When assigning passwords, you should therefore always start from the highest authorization level, **service**, and use different passwords.

Password

The AutoDome 800 Series operates with three authorization levels: **service**, **user** and **live**. The highest authorization level is **service**. After entering the correct password, you can access all the functions of the AutoDome 800 Series and change all configuration settings.

With the **user** authorization level, you can operate the unit and also control cameras, for example, but you cannot change the configuration.

The lowest authorization level is **live**. It can only be used to view the live video image and switch between the different live image displays.

You can define and change a password for each authorization level if you are logged in as **service** or if the unit is not password protected.

Enter the password for the appropriate authorization level here.

Confirm password

In each case, enter the new password a second time to eliminate typing mistakes.

**NOTICE!**

A new password is only saved when you click the **Set** button. You should therefore click the **Set** button immediately after entering and confirming a password.

7.11

Date/Time

Date format

Select your required date format.

Device date/Device time

If there are multiple devices operating in your system or network, it is important to synchronize their internal clocks. For example, it is only possible to identify and correctly evaluate simultaneous recordings when all units are operating on the same time.

1. Enter the current date. Since the unit time is controlled by the internal clock, there is no need to enter the day of the week – it is added automatically.
2. Enter the current time or click the **Sync to PC** button to copy your computer's system time to the AutoDome 800 Series.

Device time zone

Select the time zone in which your system is located.

Daylight saving time

The internal clock can switch automatically between normal and daylight saving time (DST). The unit already contains the data for DST switch-overs up to the year 2018. You can use these data or create alternative time saving data if required.

**NOTICE!**

If you do not create a table, there will be no automatic switching. When changing and clearing individual entries, remember that two entries are usually related to each other and dependent on one another (switching to summer time and back to normal time).

1. First check whether the correct time zone is selected. If it is not correct, select the appropriate time zone for the system, and click the **Set** button.
2. Click the **Details** button. A new window will open and you will see the empty table.
3. Select the region or the city that is closest to the system's location from the list field below the table.
4. Click the **Generate** button to generate data from the database in the unit and enter it into the table.
5. Make changes by clicking an entry in the table. The entry is selected.
6. Clicking the **Delete** button will remove the entry from the table.
7. Select other values from the list fields below the table to change the entry. Changes are made immediately.
8. If there are empty lines at the bottom of the table, for example after deletions, you can add new data by marking the row and selecting required values from the list fields.
9. Now click the **OK** button to save and activate the table.

Time server IP address

The AutoDome 800 Series can receive the time signal from a time server using various time server protocols, and then use it to set the internal clock. The unit polls the time signal automatically once every minute.

Enter the IP address of a time server here.

Time server type

Select the protocol that is supported by the selected time server. Preferably, you should select the **SNTP server** as the protocol. This supports a high level of accuracy and is required for special applications and subsequent function extensions.

Select **Time server** for a time server that works with the protocol RFC 868.

7.12 Display Stamping

Various overlays or “stamps” in the video image provide important supplementary information. These overlays can be enabled individually and are arranged on the image in a clear manner.

Camera name stamping

This field sets the position of the camera name overlay. It can be displayed at the **Top**, at the **Bottom** or at a position of your choice that you can then specify using the **Custom** option. Or it can be set to **Off** for no overlay information.

1. Select the desired option from the list.
2. If you select the **Custom** option, additional fields are displayed where you can specify the exact position (**Position (XY)**).
3. In the **Position (XY)** fields, enter the values for the desired position.

Time stamping

This field sets the position of the time overlay. It can be displayed at the **Top**, at the **Bottom** or at a position of your choice that you can then specify using the **Custom** option. Or it can be set to **Off** for no overlay information.

1. Select the desired option from the list.
2. If you select the **Custom** option, additional fields are displayed where you can specify the exact position (**Position (XY)**).
3. In the **Position (XY)** fields, enter the values for the desired position.

Display milliseconds

If necessary, you can also display milliseconds. This information can be useful for recorded video images; however, it does increase the processor's computing time. Select **Off** if you do not need to display milliseconds.

Alarm mode stamping

Select **On** to display a text message overlay in the image in the event of an alarm. It can be displayed at a position of your choice that you can then specify using the **Custom** option. Or it can be set to **Off** for no overlay information.

1. Select the desired option from the list.
2. If you select the **Custom** option, additional fields are displayed where you can specify the exact position (**Position (XY)**).
3. In the **Position (XY)** fields, enter the values for the desired position.

Alarm message

Enter the message to be displayed in the image in the event of an alarm. The maximum text length is 31 characters.

Title OSD

Select **On** to continuously display sector or shot title overlays in the image. Select **Momentary** to display sector or shot title overlays for a few seconds. OSD titles can be displayed at a position of your choice, or it can be set to **Off** for no overlay information.

1. Select the desired option from the list.
2. Specify the exact position (**Position (XY)**).
3. In the **Position (XY)** fields, enter the values for the desired position.

Camera OSD

Select **On** to momentarily display camera response information, such as Digital Zoom, Iris open/close, and Focus near/far overlays in the image. Select **Off** to display no information.

1. Select the desired option from the list.
2. Specify the exact position (**Position (XY)**).
3. In the **Position (XY)** fields, enter the values for the desired position.

Video watermarking

Choose **On** if you wish the transmitted video images to be "watermarked". After activation, all images are marked with a green **W**. A red **W** indicates that the sequence (live or saved) has been manipulated.

7.13 Advanced Mode: Web Interface

7.14 Appearance

On this page you can adapt the appearance of the web interface and change the website language to meet your requirements. If necessary, you can replace the manufacturer's logo (top right) and the product name (top left) in the top part of the window with individual graphics.

**NOTICE!**

You can use either GIF or JPEG images. The file paths must correspond to the access mode (for example **C:\Images\Logo.gif** for access to local files, or **http://www.mycompany.com/images/logo.gif** for access via the Internet/Intranet).

When accessing via the Internet/Intranet, ensure that a connection is always available to display the image. The image file is not stored in the AutoDome 800 Series.

Website language

Select the language for the user interface here.

Company logo

Enter the path to a suitable graphic if you want to replace the manufacturer's logo. The image file can be stored on a local computer, in the local network or at an Internet address.

Device logo

Enter the path to a suitable graphic if you want to replace the product name. The image file can be stored on a local computer, in the local network or at an Internet address.

**NOTICE!**

If you want to use the original graphics again, simply delete the entries in the **Company logo** and **Device logo** fields.

JPEG interval

You can specify the interval at which the individual images should be generated for the M-JPEG image on the **LIVEPAGE**.

7.15**Livepage Functions**

On this page you can adapt the **Livepage** functions to your requirements. You can choose from a variety of different options for displaying information and controls.

1. Check the box for the items that are to be made available on the **Livepage**. The selected items are indicated by a check mark.
2. Check whether the required functions are available on the **Livepage**.

Transmit Audio

You can only select this option if audio transmission is actually switched on (see *Section 7.30 Audio, page 90*). The audio signals are sent in a separate data stream parallel to the video data, and so increase the network load. The audio data are encoded according to G.711 and require an additional bandwidth of approx. 80 kbps for each connection.

Lease time (s)

The lease time in seconds determines the time beyond which a different user is authorized to control the camera after no further control signals are received from the current user. After this time interval, the camera is automatically enabled.

Show alarm inputs

The alarm inputs are displayed next to the video image as icons along with their assigned names. If an alarm is active, the corresponding icon changes color.

Show relay outputs

Relay outputs are shown next to the video image as icons, along with their assigned names. If the relay is switched, the icon changes color.

Show VCA trajectories

When video content analysis (VCA) is activated, check this item to show additional information that traces the path of objects.

Show VCA metadata

When video content analysis (VCA) is activated, additional information is displayed in the live video stream. For example, in Motion+ mode, the sensor areas for motion detection are marked.

Show event log

The event messages are displayed along with the date and time in a field next to the video image.

Show system log

The system messages are displayed along with the date and time in a field next to the video image and provide information about establishing and ending connections, for example.

Allow snapshots

Here you can specify whether the icon for saving individual images should be displayed below the live image. Individual images can only be saved if this icon is visible.

Allow local recording

Here you can specify whether the icon for saving video sequences on the local memory should be displayed below the live image. Video sequences can only be saved if this icon is visible.

AutoTrack

Enables the AutoTrack control options.

I-frame only stream

Here you can specify whether the Livepage displays a viewing tab for an I-frame only stream.

Path for JPEG and Video files

1. Enter the path for the storage location of individual images and video sequences that you can save from the **Livepage**.
2. If necessary, click **Browse** to find a suitable directory.

7.16

Logging

Save event log

Check this option to save event messages in a text file on your local computer. You can then view, edit and print this file with any text editor or the standard Office software.

File for event log

1. Enter the path for saving the event log here.
2. If necessary, click **Browse** to find a suitable directory.

Save system log

Check this option to save system messages in a text file on your local computer. You can then view, edit and print this file with any text editor or the standard Office software.

File for system log

1. Enter the path for saving the system log here.
2. If necessary, click **Browse** to find a suitable directory.

7.17

Advanced Mode: Camera

7.18

Installer Menu

Orientation

Reverses the image 180° (ideal when mounting upside down). Set the orientation to Normal (default) or Inverted.

**CAUTION!**

The AutoDome disables the Privacy Mask function if the orientation is set to Inverted.

SC Settings

Click the Default button to restore all camera settings to their original defaults.

SC Data

Click the default button to clear all preposition, privacy mask, and other user settings.

Reboot device

Performs a reboot of the AutoDome. There is a ten (10) second pause before the dome starts its homing phase. During the homing phase the camera pans left and right and tilts up and down. It also adjusts the lens focus. The entire homing phase lasts approximately 40 seconds.

Factory defaults

Click **Restore all defaults** to restore the factory defaults for the camera. A confirmation screen appears. Allow 5 seconds for the camera to optimize the picture after a mode reset.

7.19

Encoder Profile

For the video signal encoding, you can select a code algorithm and you can change the presets for the profiles.

You can adapt the video data transmission to the operating environment (for example network structure, bandwidth, data load). To this end, the AutoDome 800 Series simultaneously generates two data streams (Dual Streaming), which compression settings you can select individually, for example one setting for transmissions to the Internet and one for LAN connections.

Pre-programmed profiles are available, each giving priority to different perspectives.

- **HD high quality / low latency**
 - Target bit rate: 5000 kbps
 - Maximum bit rate: 10000 kbps
 - Encoding interval: 30.00 ips
- **HD high quality**
 - Target bit rate: 3500 kbps
 - Maximum bit rate: 7000 kbps
 - Encoding interval: 30.00 ips
- **HD low bandwidth**
 - Target bit rate: 2500 kbps
 - Maximum bit rate: 5000 kbps
 - Encoding interval: 30.00 ips
- **SD high quality / low latency**
 - Target bit rate: 2000 kbps
 - Maximum bit rate: 4000 kbps
 - Encoding interval: 30.00 ips
- **SD high quality**
 - Target bit rate: 1500 kbps
 - Maximum bit rate: 3000 kbps
 - Encoding interval: 30.00 ips
- **SD low bandwidth**
 - Target bit rate: 700 kbps
 - Maximum bit rate: 1500 kbps
 - Encoding interval: 30.00 ips

- **DSL**
Target bit rate: 400 kbps
Maximum bit rate: 500 kbps
Encoding interval: 30.00 ips
- **ISDN (2B)**
Target bit rate: 80 kbps
Maximum bit rate: 100 kbps
Encoding interval: 30.00 ips

You can change individual parameter values of a profile and you can also change the name. You can switch between profiles by clicking the appropriate tabs.



CAUTION!

The profiles are rather complex. They include a large number of parameters that interact with one another, so it is generally best to use the default profiles.

Change the profiles only once you are fully familiar with all the configuration options.

In the default setting, Stream 2 is transmitted for alarm connections and automatic connections. Bear this fact in mind when assigning the profile.



NOTICE!

All parameters combine to make up a profile and are dependent on one another. If you enter a setting that is outside the permitted range for a particular parameter, the nearest permitted value will be substituted when the settings are saved.

Profile name

You can enter a new name for the profile here. The name is then displayed in the list of available profiles in the **Profile name** field.

Target data rate

You can limit the data rate for the AutoDome 800 Series to optimize utilization of the bandwidth in your network. The target data rate should be set according to the desired picture quality for typical scenes with no excessive motion.

For complex images or frequent changes of image content due to frequent movements, this limit can be temporarily exceeded up to the value you enter in the **Maximum data rate** field.

Maximum data rate

This maximum data rate is not exceeded under any circumstances. Depending on the video quality settings for the I- and P-frames, this fact can result in individual images being skipped. The value entered here must be at least 10% higher than the value entered in the **Target data rate** field. If the value entered here is too low, it will automatically be adjusted.

Video resolution

Here you can select the desired resolution for the video image. The following resolutions are available for standard definition settings only:

- **QVGA**
320×240 pixels
- **VGA**
640 x 480 pixels
- **CIF**
352 × 288/240 pixels
- **4CIF/D1**
704 × 576/480 pixels

Encoding Interval

The figure selected here determines the interval at which images are encoded and transmitted. The image rate in ips (images per second) is displayed next to the text field. Use the slide bar to select a frame rate from 30.00 ips to 1 ips.

Expert Settings

Use the expert settings to adapt the I-frame quality and the P-frame quality to specific requirements, if necessary. The setting is based on the H.264 quantization parameter (QP).

GOP Structure

Select the structure you require for the Group of Pictures here. Depending on whether you place greater priority on having the lowest possible delay (IP frames only) or using as little bandwidth possible, you can choose between IP, IBP, and IBBP.

I-frame Distance

This parameter allows you to set the intervals in which the I-frames will be coded. 0 means auto mode, whereby the video server inserts I-frames as necessary. An entry of 1 indicates that I-frames are continuously generated. An entry of 2 indicates that only every second image is an I-frame, and 3 only every third image etc.; the frames in between are coded as P-frames.

I-frame Quality

This setting allows you to adjust the image quality of the I-frames. The basic setting Auto automatically adjusts the quality to the settings for the P-frame video quality. Alternatively, you can use the slide control to set a value between 9 and 51. The value 9 represents the best image quality with, if necessary, a lower frame refresh rate depending on the settings for the maximum data rate. A value of 51 results in a very high refresh rate and lower image quality.

P-frame Quality

This setting allows you to adjust the maximum image quality of the P-frames. The basic setting Auto automatically adjusts to the optimum combination of movement and image definition (focus). Alternatively, you can use the slide control to set a value between 9 and 51. The value 9 represents the best image quality with, if necessary, a lower frame refresh rate depending on the settings for the maximum data rate. A value of 51 results in a very high refresh rate and lower image quality.

Default

Click **Default** to return the profile to the factory default values.

7.20

Encoder Streams

Select the property and default profile for each H.264 stream and set the parameters for the M-JPEG stream.

For the first H.264 stream you can select from these options:

HD stream options:

- H.264 MP 720p30 Fixed
- H.264 MP 1080p Fixed
- H.264 MP 720p60 Fixed

SD stream options (use these options if a second H.264 stream is allowed):

- **H.264 BP+ bit-rate-limited**
Select this setting when using hardware decoders. The bit rate is limited to 1.2 Mbps.
CABAC: off
CAVLC: on
GOP structure: IP
I-frame distance: 15
Deblocking filter: on
- **H.264 MP SD**
Select this setting when using software decoders, PTZ and for rapid movements in the images.
CABAC: on
CAVLC: off
GOP structure: IP
I-frame distance: 30
Deblocking filter: on

To select the stream options:

1. Select the required encoder properties and one of the encoder profiles for each data stream.
2. Click the **Preview** button. The preview screens for both data streams are shown.
3. Click the **1:1 Live View** button below the preview screen to open a new window with the original data stream and to check the image quality and the transmission rate.

Property

Select one of the H.264 standards for each stream.



NOTICE!

If you select H.264 MP 720p60 Fixed or H.264 MP 1080p Fixed as the first stream, you can select only Copy of Stream 1 as an option for the second stream.

Default profile

Select one of the following profiles for each stream:

- HD high quality / low latency
- HD high quality
- HD low bandwidth
- SD high quality / low latency
- SD high quality
- SD low bandwidth
- DSL
- ISDN (2B)

Refer to *Section 7.19 Encoder Profile, page 80*, for more details about each stream.

Preview

Click the **Preview** button to open a small static preview window for each stream. To enlarge the preview and view live video, click the **1:1 Live View** button.

JPEG stream

Select the resolution, frame rate, and image quality parameters for the M-JPEG stream.

- **Resolution:** Select either 4CIF/D1 or CIF.
- **Frame rate:** Select one of the following frame rates: 5, 10, 15, 20, 25, or 30 ips.

- **Picture quality:** this setting allows you to adjust the image quality. Use the slide bar to choose a quality between Low and High.

7.21 Privacy Masks

Privacy Masking is used to block out a specific area of a scene from being viewed. Masks can be configured as a gray area with four corners. You may define a total of 24 privacy masks.



NOTICE!

- The AutoDome disables the Privacy Mask feature if the orientation of the camera is set to Inverted. Refer to *Section 7.18 Installer Menu, page 79*, for orientation settings.
- You cannot apply a privacy mask 70° (tilt direction) below the horizon.

To add a privacy mask to a scene:

1. Navigate to the scene in which you want to apply a privacy mask.
 - a. Click the View Control link.
 - b. Use the PTZ controls to view the scene.
2. Select the privacy mask number to apply to the scene.
The preview window displays a gray rectangle in the scene.
3. Click the Enable check box to activate the privacy mask.
The privacy mask in the preview window changes to orange to indicate that the mask will appear in the video streams on the Livepage.
4. Select a mask color from the Pattern list box.
5. Place the cursor inside the privacy mask area in the preview window; then click and drag to move the privacy mask.
6. Place the cursor on a corner or on a side of the mask rectangle; then click and drag to expand or shrink the privacy mask area.



NOTICE!

Draw the mask 10% larger than the object to ensure that the mask completely covers the object as the AutoDome zooms in and out.

7. Click Set to save the privacy mask size and position.
An image window displays the privacy mask.
8. To hide an individual mask, select the mask number and clear the Enable check box.
9. To hide all masks from an image view, click the Hide Masks check box.
Note: If you choose to hide all masks, you must enable each individual mask to show the mask in the scene.

7.22 Camera Settings

White Balance

Adjusts the color settings to maintain the quality of the white areas of the image.

- **ATW:** allows the camera to continuously adjust color reproduction.
- **Indoor:** white balance tracking for indoor use.
- **Outdoor:** white balance tracking for outdoor use.
- **AWB Hold:** places the ATW on hold and saves the color settings.
- **Extended ATW (default):** allows the camera to constantly adjust for optimal color reproduction.
- **Manual:** Red and Blue gain can be manually set to a desired position.
- **Outdoor Auto:** Automatically adjusts the white balance to reduce the dark tones at dawn or dusk.

- **Sodium Lamp Auto:** Automatically adjusts for sodium vapor light to restore objects to their original color.
- **Sodium Lamp:** Optimizes the sodium vapor light to restore objects to their original color.

Red Gain

The red gain adjustment offsets the factory white point alignment (reducing red introduces more cyan).

Blue Gain

The blue gain adjustment offsets the factory white point alignment (reducing blue introduces more yellow). It is only necessary to change the white point offset for special scene conditions.

Gain Control

Adjusts the automatic gain control (AGC). Automatically sets the gain to the lowest possible value needed to maintain a good picture.

- **AGC** (default): electronically brightens dark scenes, which may cause graininess in low light scenes.
- **Fixed:** no enhancement. This setting disables the Max. Gain Level option. If you select this option, the AutoDome 800 Series makes the following changes automatically:
 - **Night Mode:** switches to Color
 - **Auto Iris:** switches to Constant

Max. Gain Level

Controls the maximum value the gain can have during AGC operation. To set the maximum gain level, choose from:

- **Normal**
- **Medium**
- **High**

Sharpness

Adjusts the sharpness of the picture. To set the sharpness, type a value between 1 and 15 inclusive. The default setting is 12.

Shutter Mode

- **Off:** turns the Auto SensUP Off.
- **AutoSensUp:** increases camera sensitivity by increasing the integration time on the camera. This is accomplished by integrating the signal from a number of consecutive video frames to reduce signal noise. If you select this option, the AutoDome makes the following change automatically:
 - **Auto Iris:** switches to Constant

Shutter

Adjusts the electronic shutter speed (AES). Controls the time period for which light is gathered by the collecting device. The default setting is 1/30 second and the range of settings is from 1/1 to 1/10000.

Backlight Compensation

Optimizes the video level for the selected area of the image. Parts outside this area may be underexposed or overexposed. Select On to optimize the video level for the central area of the image. The default setting is Off.

High Sensitivity Setting

Night Mode

Selects night mode (B/W) to enhance lighting in low light scenes. Select from the following options:

- **Off:** Forces the camera to stay in Night Mode and transmit monochrome images.
- **On:** The camera does not switch to Night Mode regardless of ambient light conditions.
- **Auto:** The camera switches out of Night Mode after the ambient light level reaches a pre-defined threshold.

Night Mode Threshold

Adjusts the level of light at which the camera automatically switches out of night mode (B/W) operation. Select a value between 10 and 55 (in increments of 5), where 10 is earlier and 55 is later.

Noise Reduction

Turns on the 2D and 3D noise reduction feature.

Noise Reduction Level

Adjusts the noise level to the appropriate level for shooting conditions. Select a value between 1 and 5.

7.23

Lens Settings

Auto Focus

Continuously adjusts the lens automatically to the correct focus for the sharpest picture.

- **One Push** (default): activates the Auto Focus feature after the camera stops moving. Once focused, Auto Focus is inactive until the camera is moved again.
- **Auto Focus:** Auto Focus is always active.
- **Manual:** Auto Focus is inactive.

Focus Polarity

- **Normal (default):** focus controls operate normally.
- **Reverse:** focus controls are reversed.

Focus Speed

Controls how fast the Auto focus will readjust when the focus becomes blurred. Select from the following options:

- **Super Slow**
- **Slow**
- **Medium**
- **Fast**

Auto Iris

Automatically adjusts the lens to allow the correct illumination of the camera sensor. This type of lens is recommended for use where there are low light or changing light conditions.

- **Constant** (default): camera constantly adjusts to varying light conditions (default). If you select this option, the AutoDome makes the following changes automatically:
 - **Gain Control:** switches to AGC
 - **Shutter Speed:** switches to default
- **Manual:** camera must be manually adjusted to compensate for varying light conditions.

Iris Polarity

Capability to reverse the operation of the iris button on the controller.

- **Normal (default):** iris controls operate normally.
- **Reverse:** iris controls are reversed.

Auto Iris Level

Increases or decreases brightness according to the amount of light. Type a value between 1 and 15, inclusive. The default setting is 5.

Maximum Zoom Speed

Controls the zoom speed. The default setting is Fast.

Zoom Polarity

Capability to reverse the operation of the zoom button on the controller.

- **Normal (default):** zoom controls operate normally.
- **Reverse:** zoom controls are reversed.

Digital Zoom

Digital zoom is a method of decreasing (narrowing) the apparent angle of view of a digital video image. It is accomplished electronically, without any adjustment of the camera's optics, and no optical resolution is gained in the process. Select Off to disable or On to enable this feature. The default setting is On.

7.24

PTZ Settings

Auto Pan Speed

Pans the camera at the selected speed between right and left limit settings or 360°. Type a value between 1 and 60 (expressed in degrees), inclusive. The default setting is 30.

Inactivity

Selects the time period the dome must be not controlled until the inactivity event will be executed.

- **Off (default):** camera remains on a current scene indefinitely.
- **Scene 1:** camera returns to Preset 1.
- **Previous Aux:** camera returns to the previous activity.

Inactivity Period

Determines the behavior of the dome when the control for dome is inactive. Select a time period from the pull-down list (3 sec. - 10 min.). The default setting is 2 minutes.

Auto Pivot

The Auto Pivot tilts the camera through the vertical position as the camera is rotated to maintain the correct orientation of the image. Set the Auto Pivot to On (default) to automatically rotate the camera 180° when following a subject traveling directly beneath the camera. To disable this feature, click Off.

Freeze Frame

Select On (default) to freeze the image while the AutoDome moves to a predetermined scene position.

Autopan Left Limit

Sets the left Auto Pan limit of the camera. Use the preview window to move the camera to the left pan limit and click the button. The camera will not move past this limit when in Auto Pan Between Limits mode (AUX 2 ON).

Autopan Right Limit

Sets the right Auto Pan limit of the camera. Use the preview window to move the camera to the right pan limit and click the button. The camera will not move past this limit when in Auto Pan Between Limits mode (AUX 2 ON).

Tilt Up Limit

Sets the upper tilt limit of the camera.

Tilt Limits

Click the Reset button to clear the upper tilt limit.

Tour A / Tour B

Starts and stops the recording of a recorded (guard) tour.

The AutoDome can make up to two (2) recorded tours. A Recorded Tour saves all manual camera movements made during the recording, including its rate of pan, tilt and zoom speeds and other lens setting changes.

Note: You can save a total of 15 minutes of recorded actions between the two tours.

To record a tour:

1. Click the Start Recording button. The system prompts you to overwrite the existing tour.
2. Click Yes to overwrite the existing tour movements.
3. Click the View Control link, under the image cameo, to access the directional and zoom controls.
4. Use the View Control dialog box to make the necessary camera movements.
5. Click the Stop Recording button to save all actions.

Compass

The VG5 AutoDome allows a user to display the compass heading of the camera in the lower-right corner of the image display. The AutoDome displays the cardinal or intercardinal (N, NE, E, SE, S, SW, W, NW) heading in which the camera is pointing.

**NOTICE!**

The compass feature is not compatible with Bosch Intelligent Tracking. If Intelligent Tracking is activated, the camera automatically disables the display of the compass heading. Once Intelligent Tracking is deactivated, the camera returns the compass heading to the display.

You must first calibrate the AutoDome to North before the camera displays accurate compass headings. The AutoDome uses this calibration, usually set to magnetic North, as the zero degree pan position and as the North compass heading. The AutoDome then displays the compass heading based on the number of degrees from the North calibration point.

To set the North calibration point:

1. Determine the North compass heading, then move the camera to that position.
2. Click the Set North Compass Point button to set the calibration point.
3. Click the On radio button for the Compass parameter.

7.25

Diagnostics

Accesses the Built-in Self Test (BIST). Click the BIST button to display the number of times the AutoDome 800 Series:

- performed a homing event.
- failed to home properly.
- restarted.
- lost video.

7.26 Preposition and Tours

The AutoDome 800 Series can store up to 99 preset scenes and this section allows you to define the individual scenes that comprise a **preposition tour**.

You define individual preposition scenes, then use these scenes to define the preposition tour. The tour starts from the lowest scene number in the tour and progresses sequentially to the highest scene number in the tour. The tour displays each scene for a specified dwell time before advancing to the next scene.

By default, all scenes are part of the preposition tour unless removed.

To define and edit an individual scene:

1. Navigate to the scene that you want to define as a preposition.
 - a. Click the View Control link.
 - b. Use the PTZ controls to move the camera into position.
2. Click the Add scene (“+”) button to define the preposition.
3. Select a number for the scene, from 1 to 99.
4. Type an optional name for the scene, up to 20 characters long.
5. Click OK to save the scene to the Preposition list.

The asterisk (*) to the left of the scene name indicates the scene is part of the preposition tour.
6. To delete a scene from the list, select the scene and click the Delete scene (“X”) button.
7. To overwrite an existing scene:
 - a. Click the View Control link to access the PTZ controls.
 - b. Use the PTZ controls to navigate to the new scene.
 - c. Click the scene in the Preposition list you want to overwrite.
 - d. Click the Overwrite scene button to apply the new scene to the existing preposition.
 - e. To change the name of the scene, double-click the scene in the list. Then, change the name in the Edit Scene dialog box and click OK.
8. To view a scene in the preview window, select the scene in the list and click the Show scene button.
9. To view a scene from the Livepage:
 - a. Click a scene number below the PTZ controls on the View Control tab.
 - b. Use the keypad and the Show Shot button on the Aux Control tab.

To define a preposition tour:

1. Create the individual scenes.

By default, all scenes in the Preposition list are in the preposition tour.
2. To remove a scene from the tour, select the scene in the list and uncheck the Include in standard tour box.
3. Select a dwell time from the Standard preposition tour drop-down list.
4. To start the preposition tour:
 - a. Return to the Livepage.
 - b. Click the Aux Control tab.
 - c. Type **8** in the input box and click the Aux On button.
5. To stop the tour, type **8** and click the Aux Off button.

7.27 Sectors

Sector

The AutoDome 800 Series pan capability is 360° and is divided into 16 equal sectors. This section allows you to apply a title for each sector and to designate any sectors as a Blanked Sector.

To define a title for sectors:

1. Place the cursor in the input box to the right of the sector number.
2. Type a title for the sector, up to 20 characters long.
3. To blank the sector, click the check box to the right of the sector title.

7.28 Miscellaneous

Address

Allows the appropriate dome to be operated via the numerical address in the control system. Type a number between 0000 and 9999, inclusive, to identify the camera.

7.29 Logs

To save the log file information:

1. Click Download to obtain the log information.
2. Click Save.
3. Navigate to the directory in which you want to store the log information.
4. Type a name for the log file and click Save.

7.30 Audio

You can set the gain of the audio signals to suit your specific requirements. The current video image is shown in the small window next to the slide controls to help you check the audio source and improve assignments. Your changes are effective immediately.

If you connect via Web browser, you must activate the audio transmission on the **Livepage Functions** page (see *Section 6.6 The Livepage, page 61*). For other connections, the transmission depends on the audio settings of the respective system.

Audio

The audio signals are sent in a separate data stream parallel to the video data, and so increase the network load. The audio data are encoded according to G.711 and require an additional bandwidth of approx. 80 kbps for each connection. If you do not want any audio data to be transmitted, select **Off**.

Line In

You can set the line input gain. Make sure that the display does not go beyond the green zone during modulation.

Record Format

Select a format for audio recording. The default value is G.711. Select L16 or AAC (Advanced Audio Coding) if you want better audio quality with higher sampling rates. The L16 standard requires approx. eight times the G.711 bandwidth.

7.31 Pixel Counter

Counts the number of pixels in a defined image area. The pixel counter allows the installer to easily verify that the camera installation fulfills any regulatory or specific customer requirements, for example, calculating the pixel resolution of the face of a person passing a doorway monitored by the camera.

7.32 Advanced Mode: Recording

7.33 Storage Management

You can record the images from the AutoDome 800 Series on various local storage media or on an appropriately configured iSCSI system.

It is also possible to let the VRM Video Recording Manager control all recording when accessing an iSCSI system. This is an external program for configuring recording tasks for video servers. For further information please contact your local customer service at Bosch Security Systems, Inc.

Device manager

If you activate the **VRM** option in this screen, the VRM Video Recording Manager will manage all recording and you will not be able to configure any further settings here.



CAUTION!

Activating or deactivating VRM causes the current settings to be lost; they can only be restored through reconfiguration.

Recording media

Select the required recording media here so that you can then activate them and configure the recording parameters.

iSCSI Media

If you want to use an **iSCSI system** as a recording medium, you must set up a connection to the required iSCSI system and set the configuration parameters.



NOTICE!

The iSCSI storage system selected must be available on the network and completely set up. Amongst other things, it must have an IP address and be divided into logical drives (LUN).

1. Enter the IP address of the required iSCSI destination in the **iSCSI IP address** field.
2. If the iSCSI destination is password protected, enter this into the **Password** field.
3. Click the **Read** button. The connection to the IP address will be established. In the **Storage overview** field, you can see the corresponding logical drives.

Local Media

The supported local recording media are displayed in the Storage overview field.

Activating and Configuring Storage Media

The storage overview displays the available storage media. You can select individual media or iSCSI drives and transfer these to the **Managed storage media** list. You can activate the storage media in this list and configure them for storage.



CAUTION!

Each storage medium can only be associated with one user. If a storage medium is already being used by another user, you can decouple the user and connect the drive with the AutoDome 800 Series. Before decoupling, make absolutely sure that the previous user no longer needs the storage medium.

1. In the **Recording media** section, click the **iSCSI Media** and **Local Media** tabs to display the applicable storage media in the overview.
2. In the **Storage overview** section, double-click the required storage medium, an iSCSI LUN or one of the other available drives. The medium is then added to the **Managed**

storage media list. In the **Status** column, newly added media are indicated by the status **Not active**.

3. Click the **Set** button to activate all media in the **Managed storage media** list. In the **Status** column, these are indicated by the status **Online**.
4. Check the box in the **Rec. 1** or **Rec. 2** to specify which data stream should be recorded on the storage media selected. **Rec. 1** stores Stream 1, **Rec. 2** stores Stream 2. This means that you can record the standard data stream on a hard drive and record alarm images on the mobile CF card, for example.
5. Check the boxes for the **Overwrite older recordings** option to specify which older recordings can be overwritten once the available memory capacity has been used. **Recording 1** corresponds to Stream 1, **Recording 2** corresponds to Stream 2.



CAUTION!

If older recordings are not allowed to be overwritten when the available memory capacity has been used, the recording in question will be stopped. You can specify limitations for overwriting old recordings by configuring the retention time (see *Section 7.35 Retention Time, page 94*).

Formatting Storage Media

You can delete all recordings on a storage medium at any time.



CAUTION!

Check the recordings before deleting and back up important sequences on the computer's hard drive.

1. Click a storage medium in the **Managed storage media** list to select it.
2. Click the **Edit** button below the list. A new window will open.
3. Click the **Formatting** button to delete all recordings in the storage medium.
4. Click **OK** to close the window.

Deactivating Storage Media

You can deactivate any storage medium from the **Managed storage media** list. It is then no longer used for recordings.

1. Click a storage medium in the **Managed storage media** list to select it.
2. Click the **Remove** button below the list. The storage medium is deactivated and removed from the list.

7.34 Recording Profiles

You can define up to ten different recording profiles. You will then use these recording profiles in the recording scheduler, where they are linked with the individual days and times (see *Section 7.36 Recording Schedule, page 94*).



NOTICE!

You can change or add to the recording profile description on the tabs on the **Recording Scheduler** page (see *Page 94*).

1. Click one of the tabs to edit the corresponding profile.
2. If necessary, click the **Default** button to return all settings to their default values.
3. Click the **Copy Settings** button if you want to copy the currently visible settings to other profiles. A new window will open and you can select the profiles in which you want to copy the settings.
4. For each profile, click the **Set** button to save the settings in the unit.

Standard recording

Here you can select the mode for standard recordings.

If you select **Continuous**, the recording proceeds continuously. If the maximum memory capacity is reached, older recordings will automatically be overwritten. If you select the **Pre-alarm** option, recording will only take place in the pre-alarm time, during the alarm and during the set post-alarm time.

If you select **Off**, no automatic recording takes place.

**CAUTION!**

You can specify limitations for overwriting older recordings in **Continuous** mode by configuring the retention time (see *Section 7.35 Retention Time, page 94*).

Standard profile

From this field, you can select the encoder profile to be used for recording (see *Section 7.19 Encoder Profile, page 80*).

**NOTICE!**

The recording profile can deviate from the standard setting **Active profile** and is only used during an active recording.

Pre-alarm Time

You can select the required pre-alarm time from the list field.

Post-alarm Time

You can select the required post-alarm time from the list field.

Post-alarm profile

You can select the encoder profile to be used for recording during the post-alarm time (see *Section 7.19 Encoder Profile, page 80*).

The **Standard profile** option adopts the selection at the top of the page.

Alarm input / Motion alarm / Video loss alarm

Here you can select the alarm sensor that is to trigger a recording.

Virtual alarm

Here you can select the virtual alarm sensors that are to trigger a recording, via RCP+ commands or alarm scripts, for example.

**NOTICE!**

For more information, please see the **Alarm Task Script Language** document and the RCP+ documentation. These documents can be found on the product CD supplied.

Recording includes

You can specify whether, in addition to video data and metadata (for example alarms, VCA data and serial data) should also be recorded. Including metadata could make subsequent searches of recordings easier but it requires additional memory capacity.

**CAUTION!**

Without metadata, it is not possible to include video content analysis in recordings.

7.35 Retention Time

You can specify the retention times for recordings. If the available memory capacity of a medium has been used, older recordings are only overwritten if the retention time entered here has expired.



NOTICE!

Make sure that the retention time corresponds with the available memory capacity. A rule of thumb for the memory requirement is as follows: 1 GB per hour retention time with 4CIF for complete frame rate and high image quality.

Retention time

Enter the required retention time in hours or days for each recording. **Recording 1** corresponds to Stream 1, **Recording 2** corresponds to Stream 2.

7.36 Recording Schedule

The recording scheduler allows you to link the created recording profiles with the days and times at which the camera's images are to be recorded in the event of an alarm. You can link any number of 15-minute intervals with the recording profiles for each day of the week. Moving the mouse cursor over the table displays the time below it. This aids orientation.

In addition to the normal weekdays, you can define holidays that are not in the standard weekly schedule on which recordings are to apply. This allows you to apply a schedule for Sundays to other days with dates that fall on varying weekdays.

1. Click the profile you want to link in the **Time periods** field.
2. Click in a field in the table, hold down the mouse button and drag the cursor over all the periods to be assigned to the selected profile.
3. Use the right mouse button to deselect any of the intervals.
4. Click the **Select All** button to link all time intervals to the selected profile.
5. Click the **Clear All** button to deselect all of the intervals.
6. When you are finished, click the **Set** button to save the settings in the unit.

Holidays

You can define holidays that are not in the standard weekly schedule on which recordings are to apply. This allows you to apply a schedule for Sundays to other days with dates that fall on varying weekdays.

1. Click the **Holidays** tab. Any days that have already been selected will be shown in the table.
2. Click the **Add** button. A new window will open.
3. Select the desired date from the calendar. You can select several consecutive calendar days by holding down the mouse button. These will later be displayed as a single entry in the table.
4. Click **OK** to accept the selection. The window will close.
5. Assign the individual holidays to the recording profiles, as described above.

Deleting Holidays

You can delete holidays you have defined yourself at any time.

1. Click the **Delete** button. A new window will open.
2. Click the date you wish to delete.
3. Click **OK**. The item will be deleted from the table and the window will close.
4. The process must be repeated for deleting additional days.

Time periods

You can change the names of the recording profiles.

1. Click a profile and then the **Rename** button.
2. Enter your chosen name and then click the **Rename** button again.

Activating the Recording

After completing configuration you must activate the recording scheduler and start the recording. Once recording is underway, the **Recording Profiles** and **Recording Scheduler** pages are deactivated and the configuration cannot be modified.

You can stop the recording activity at any time and modify the settings.

1. Click the **Start** button to activate the recording scheduler.
2. Click the **Stop** button to deactivate the recording scheduler. Running recordings are interrupted and the configuration can be changed.

Recording status

The graphic indicates the recording activity of the AutoDome 800 Series. You will see an animated graphic while recording is taking place.

7.37 Recording Status

Certain details on the recording status are displayed here for information purposes. You cannot change any of these settings.

7.38 Advanced Mode: Alarm**7.39 Alarm Connections**

You can select how the AutoDome 800 Series responds to an alarm. In the event of an alarm, the unit can automatically connect to a pre-defined IP address. You can enter up to ten IP addresses to which the AutoDome 800 Series will connect in sequence in the event of an alarm, until a connection is made.

Connect on alarm

Select **On** so that the AutoDome 800 Series automatically connects to a predefined IP address in the event of an alarm.

By setting **Follows input 1** the unit maintains the connection that has been automatically established for as long as an alarm exists on alarm input 1.

**NOTICE!**

In the default setting, Stream 2 is transmitted for alarm connections. Bear this fact in mind when assigning the profile (see *Section 7.19 Encoder Profile, page 80*).

Number of destination IP address

Specify the numbers of the IP addresses to be contacted in the event of an alarm. The unit contacts the remote stations one after the other in the numbered sequence until a connection is made.

Destination IP address

For each number, enter the corresponding IP address for the desired remote station.

Destination password

If the remote station is password protected, enter the password here.

In this page, you can save a maximum of ten destination IP addresses and hence up to ten passwords for connecting to remote stations. If connections to more than ten remote stations

are to be possible, for example when initiating connections via higher-ranking systems such as VIDOS or Bosch Video Management System, you can store a general password here. The AutoDome 800 Series can use this general password to connect to all remote stations protected with the same password. In this case, proceed as follows:

1. Select **10** from the **Number of destination IP address** list field.
2. Enter the address **0.0.0.0** in the **Destination IP address** field.
3. Enter your chosen password in the **Destination password** field.
4. Define this password as the **user** password for all remote stations to which a connection is to be possible.

**NOTICE!**

If you enter the destination IP address 0.0.0.0 for destination 10, this address will no longer be used for the tenth attempt at automatic connection in the event of an alarm. The parameter is then used only to save the general password.

Video transmission

If the unit is operated behind a firewall, **TCP (HTTP port)** should be selected as the transfer protocol. For use in a local network, select **UDP**.

**CAUTION!**

Please note that in some circumstances, a larger bandwidth must be available on the network for additional video images in the event of an alarm, in case Multicast operation is not possible. To enable Multicast operation, select the **UDP** option for the **Video transmission** parameter here and on the **Network** page (see *Page 105*).

Remote port

Depending on the network configuration, select a browser port here. The ports for HTTPS connections will be available only if the **On** option is selected in the **SSL encryption** parameter.

Video output

If you know which unit is being used as the receiver, you can select the analog video output to which the signal should be switched. If the destination unit is unknown, it is advisable to select the **First available** option. In this case, the image is placed on the first free video output. This is an output on which there is no signal. The connected monitor only displays images when an alarm is triggered. If you select a particular video output and a split image is set for this output on the receiver, you can also select from **Decoder** the decoder in the receiver that is to be used to display the alarm image.

**NOTICE!**

Refer to the destination unit documentation concerning image display options and available video outputs.

Decoder

Select a decoder of the receiver to display the alarm image. The decoder selected has an impact on the position of the image in a split screen. For example, you can specify via a VIP XD that the upper-right quadrant should be used to display the alarm image by selecting decoder 2.

SSL encryption

The data for the connection, for example the password, can be securely transmitted with SSL encryption. If you have selected the **On** option, only encrypted ports are offered in the

Remote port parameter.

**NOTICE!**

Please note that the SSL encryption must be activated and configured at both ends of a connection. This requires the appropriate certificates to be uploaded onto the AutoDome 800 Series.

You can activate and configure encryption of the media data (video and metadata) on the **Encryption** page (see *Section 7.54 Encryption, page 111*).

Auto-connect

Select the **On** option to automatically re-establish a connection to one of the previously specified IP addresses after each reboot, after a connection breakdown or after a network failure.

**NOTICE!**

In the default setting, Stream 2 is transmitted for automatic connections. Bear this fact in mind when assigning the profile (see *Section 7.19 Encoder Profile, page 80*).

7.40**VCA**

The AutoDome 800 Series contains an integrated video content analysis (VCA), which can detect and analyze changes in the signal on the basis of image processing. Such changes can be due to movements in the camera's field of view.

You can select various VCA configurations and adapt these to your application as required.

The **Silent MOTION+** configuration is active by default. In this configuration, metadata is created to facilitate searches of recordings; however, no alarm is triggered.

1. Select a VCA configuration and make the required settings.
2. If necessary, click the **Default** button to return all settings to their default values.

VCA Profiles

You can configure two profiles with different VCA configurations. You can save profiles on your computer's hard drive and load saved profiles from there. This can be useful if you want to test a number of different configurations. Save a functioning configuration and test new settings. You can use the saved configuration to restore the original settings at any time.

**NOTICE!**

If computing power becomes short, the highest priority is always the live images and recordings. This can lead to impairment of the video content analysis. You should therefore observe the processor load and optimize the encoder settings or the video content analysis settings as necessary.

1. Select a VCA profile and enter the required settings.
2. If necessary, click the **Default** button to return all settings to their default values.
3. Click the **Save...** button to save the profile settings to another file. A new window is opened, in which you can specify where you want to save the file and what name you want to save it under.
4. Click the **Load...** button to load a saved profile. A new window opens in which you can select the profile file and specify where to save the file.

VCA configuration

Select one of the profiles here to activate it or edit it.
You can rename the profile.

1. To rename the file, click the icon to the right of the list field and enter the new profile name in the field.
2. Click the icon again. The new profile name is saved.

Alarm status

The alarm status is displayed here for information purposes. This means you can check the effects of your settings immediately.

Analysis type

Select the required analysis algorithm. By default, only **MOTION+** is available – this offers a motion detector and essential recognition of tampering.



NOTICE!

Additional analysis algorithms with comprehensive functions such as IVMD and IVA are available from Bosch Security Systems, inc.

If you select one of these algorithms, you can set the corresponding parameters here directly. You can find information on this in the relevant documents on the product CD supplied.

Metadata is always created for a video content analysis, unless this was explicitly excluded. Depending on the analysis type selected and the relevant configuration, additional information overlays the video image in the preview window next to the parameter settings. With the **MOTION+** analysis type, for example, the sensor fields in which motion is recorded will be marked with rectangles.



NOTICE!

On the **LIVEPAGE Functions** page, you can also enable additional information overlays for the **LIVEPAGE** (see *Section 7.15 Livepage Functions, page 78*).

Motion detector (MOTION+ only)

For the detector to function, the following conditions must be met:

- Analysis must be activated.
- At least one sensor field must be activated.
- The individual parameters must be configured to suit the operating environment and the desired responses.
- The sensitivity must be set to a value greater than zero.



CAUTION!

Reflections of light (off glass surfaces, etc.), switching lights on or off or changes in the light level caused by cloud movement on a sunny day can trigger unintended responses from the motion detector and generate false alarms. Run a series of tests at different times of the day and night to ensure that the video sensor is operating as intended.

For indoor surveillance, ensure constant lighting of the areas during the day and at night.

Sensitivity (MOTION+ only)

The basic sensitivity of the motion detector can be adjusted for the environmental conditions to which the camera is subject.

The sensor reacts to variations in the brightness of the video image. The darker the observation area, the higher the value that must be selected.

Minimum object size (MOTION+ only)

You can specify the number of sensor fields that a moving object must cover to generate an alarm. This is to prevent objects that are too small from triggering an alarm.

A minimum value of **4** is recommended. This value corresponds to four sensor fields.

Debounce time 1 s (MOTION+ only)

The debounce time is intended to prevent very brief alarm events from triggering individual alarms. If the Debounce time 1 s option is activated, an alarm event must last at least one second to trigger an alarm.

Select Area (MOTION+ only)

The areas of the image to be monitored by the motion detector can be selected. The video image is subdivided into 858 square fields. Each of these fields can be activated or deactivated individually. If you wish to exclude particular regions of the camera's field of view from monitoring due to continuous movement (by a tree in the wind, etc.), the relevant fields can be deactivated.

1. Click **Select Area** to configure the sensor fields. A new window will open.
2. If necessary, click **Clear All** first to clear the current selection (fields marked yellow).
3. Left-click the fields to be activated. Activated fields are marked yellow.
4. If necessary, click **Select All** to select the entire video frame for monitoring.
5. Right-click any fields you wish to deactivate.
6. Click **OK** to save the configuration.
7. Click the close button **X** in the window title bar to close the window without saving the changes.

Tamper detection

You can reveal the tampering of cameras and video cables by means of various options. Run a series of tests at different times of the day and night to ensure that the video sensor is operating as intended.

**NOTICE!**

The options for tamper detection can only be set for fixed cameras. Dome cameras or other motorized cameras cannot be protected in this manner as the movement of the camera itself causes changes in the video image that are too great.

Sensitivity**NOTICE!**

This and the following parameter are only accessible if the reference check is activated.

The basic sensitivity of the tamper detection can be adjusted for the environmental conditions to which the camera is subject.

The algorithm reacts to the differences between the reference image and the current video image. The darker the observation area, the higher the value that must be selected.

Trigger delay (s)

You can set delayed alarm triggering. The alarm is only triggered after a set time interval in seconds has elapsed and then only if the triggering condition still exists. If the original condition has been restored before this time interval elapses, the alarm is not triggered. This allows you to avoid false alarms triggered by short-term changes, for example cleaning activities in the direct field of vision of the camera.

Global change

You can set how large the global change in the video image must be for an alarm to be triggered. This setting is independent of the sensor fields selected under **Select Area**. Set a high value if fewer sensor fields need to change to trigger an alarm. With a low value, it is

necessary for changes to occur simultaneously in a large number of sensor fields to trigger an alarm.

This option allows you to detect, independently of motion alarms, manipulation of the orientation or location of a camera resulting from turning the camera mount bracket, for instance.

Global change

Activate this function if the global change, as set with the **Global change** slide control, should trigger an alarm.

Scene too bright

Activate this function if tampering associated with exposure to extreme light (for instance, shining a flashlight directly on the lens) should trigger an alarm. The average brightness of the scene provides a basis for recognition.

Scene too dark

Activate this function if tampering associated with covering the lens (for instance, by spraying paint on it) should trigger an alarm. The average brightness of the scene provides a basis for recognition.

Scene too noisy

Activate this function if tampering associated with EMC interference (noisy scene as the result of a strong interference signal in the vicinity of the video lines), as an example, should trigger an alarm.

Reference Check

You can save a reference image that is continuously compared with the current video image. If the current video image in the marked areas differs from the reference image, an alarm is triggered. This allows you to detect tampering that would otherwise not be detected, for example if the camera is turned.

1. Click **Reference** to save the currently visible video image as a reference.
2. Click **Select Area** and select the areas in the reference image that are to be monitored.
3. Check the box **Reference check** to activate on-going matching. The stored reference image is displayed in black and white below the current video image, and the selected areas are marked in yellow.
4. Select the **Disappearing edges** or **Appearing edges** option to specify the reference check once again.

Disappearing edges

The area selected in the reference image should contain a prominent structure. If this structure is concealed or moved, the reference check triggers an alarm. If the selected area is too homogenous, so that concealing and moving the structure would not trigger an alarm, then an alarm is triggered immediately to indicate the inadequate reference image.

Appearing edges

Select this option if the selected area of the reference image includes a largely homogenous surface. If structures appear in this area, then an alarm is triggered.

Select Area

You can select the image areas in the reference image that are to be monitored. The video image is subdivided into 858 square fields. Each of these fields can be activated or deactivated individually.

**NOTICE!**

Select only those areas for reference monitoring in which no movement takes place and that are always evenly lit, as false alarms could otherwise be triggered.

1. Click **Select Area** to configure the sensor fields. A new window will open.
2. If necessary, click **Clear All** first to clear the current selection (fields marked yellow).
3. Left-click the fields to be activated. Activated fields are marked yellow.
4. If necessary, click **Select All** to select the entire video frame for monitoring.
5. Right-click any fields you wish to deactivate.
6. Click **OK** to save the configuration.
7. Click the close button **X** in the window title bar to close the window without saving the changes.

7.41**Audio Alarm**

The AutoDome 800 Series can create alarms on the basis of audio signals. You can configure signal strengths and frequency ranges in such a way that false alarms, for example due to machine noise or background noise, are avoided.

**NOTICE!**

First set up normal audio transmission before you configure the audio alarm here (see *Section 7.30 Audio, page 90*).

Audio alarm

Select **On** if you want the device to generate audio alarms.

Name

The name makes it easier to identify the alarm in extensive video monitoring systems, for example with the VIDOS and Bosch Video Management System programs. Enter a unique and clear name here.

**CAUTION!**

Do not use any special characters, for example **&**, in the name.

Special characters are not supported by the system's internal recording management and may therefore result in the Player or Archive Player programs being unable to play back the recording.

Threshold

Set up the threshold on the basis of the signal visible in the graphic. You can set the threshold using the slide control or, alternatively, you can move the white line directly in the graphic using the mouse.

Sensitivity

You can use this setting to adapt the sensitivity to the sound environment. You can effectively suppress individual signal peaks. A high value represents a high level of sensitivity.

Signal Ranges

You can exclude particular signal ranges in order to avoid false alarms. For this reason the total signal is divided into 13 tonal ranges (mel scale). Check or uncheck the boxes below the graphic to include or exclude individual ranges.

7.42 Alarm E-Mail

As an alternative to automatic connecting, alarm states can also be documented by e-mail. In this way it is possible to notify a recipient who does not have a video receiver. In this case, the AutoDome 800 Series automatically sends an e-mail to a previously defined e-mail address.

Send alarm e-mail

Select **On** if you want the unit to automatically send an alarm e-mail in the event of an alarm.

Mail server IP address

Enter the IP address of a mail server that operates on the SMTP standard (Simple Mail Transfer Protocol). Outgoing e-mails are sent to the mail server via the address you entered. Otherwise leave the box blank (**0.0.0.0**).

SMTP user name

Enter a registered user name for the chosen mailserver here.

SMTP password

Enter the required password for the registered user name here.

Format

You can select the data format of the alarm message.

- **Standard (with JPEG)**
E-mail with attached JPEG image file.
- **SMS**
E-mail in SMS format to an e-mail-to-SMS gateway (for example to send an alarm by cellphone) without an image attachment.



CAUTION!

When a cellphone is used as the receiver, make sure to activate the e-mail or SMS function, depending on the format, so that these messages can be received.

You can obtain information on operating your cellphone from your cellphone provider.

Attach JPEG from camera

Click the checkbox to specify that JPEG images are sent from the camera. An enabled video input is indicated by a check mark.

Destination address

Enter the e-mail address for alarm e-mails here. The maximum address length is 49 characters.

Sender name

Enter a unique name for the e-mail sender, for example the location of the unit. This will make it easier to identify the origin of the e-mail.

Test e-mail

You can test the e-mail function by clicking the **Send Now** button. An alarm e-mail is immediately created and sent.

7.43 Alarm Task Editor



CAUTION!

Editing scripts on this page overwrites all settings and entries on the other alarm pages. This procedure cannot be reversed.

In order to edit this page, you must have programming knowledge and be familiar with the information in the **Alarm Task Script Language** document.

As an alternative to the alarm settings on the various alarm pages, you can enter your desired alarm functions in script form here. This will overwrite all settings and entries on the other alarm pages.

1. Click the **Examples** link under the **Alarm Task Editor** field to see some script examples. A new window will open.
2. Enter new scripts in the **Alarm Task Editor** field or change existing scripts in line with your requirements.
3. When you are finished, click the **Set** button to transmit the scripts to the unit. If the transfer was successful, the message **Script successfully parsed** is displayed over the text field. If it was not successful, an error message will be displayed with further information.

7.44 Alarm Rules

The AutoDome 800 Series features an alarm rule engine. In its simplest form, an alarm rule can define which input(s) activate which output(s). Basically, an alarm rule allows you to customize an AutoDome 800 Series to automatically respond to different alarm inputs. To configure an alarm rule specify one input from either a physical connection, a motion detection trigger, or from a connection to the camera's Livepage. The physical input connection can be activated by dry contact devices such as pressure pads, door contacts and similar devices

Next, specify up to two (2) rule outputs, or the camera's response to the input. Outputs include a physical alarm relay, an AUX command, or a preposition scene.

1. Click the Enabled check box to activate the alarm.
2. Choose one of the following alarm inputs:
 - Local Input 1: a physical alarm connection.
 - Local Input 2: a physical alarm connection.
 - IVA/MOTION+: an alarm when IVA or motion detection is activated.
 - Connection: an alarm when an attempt is made to access the camera's IP address.

3. Choose one of the following output commands for both Output 1 and Output 2 settings:
 - None: no defined command.
 - Alarm Relay: defines a physical connection from the open collector alarm output.
 - Aux On: defines a standard or custom keyboard ON command.
Refer to *Section A Keyboard Commands by Number, page 116*, for a list of valid commands.
Note: Only commands 1, 2, 8, 18, 20, 43, 60, 78, 80, 86 are supported. Support for the remaining commands is scheduled for a future release.
 - Aux Off: defines a standard or custom keyboard OFF command.
Refer to *Section A Keyboard Commands by Number, page 116*, for a list of valid commands.
Note: Only commands 1, 2, 8, 18, 20, 43, 60, 78, 80, 86 are supported. Support for the remaining commands is scheduled for a future release.
 - Shot: defines a preset scene from shot 1-99.
4. Click Set to save and to activate the alarm rules.

7.45 Advanced Mode: Interfaces

7.46 Alarm Inputs

Select the type of input for each physical alarm. Select from either **N.O.** (Normally Open) or **N.C.** (Normally Closed) and provide an optional name for each input.

7.47 Relay

You can configure the switching behavior of the relay outputs. For each relay, you can specify an open switch relay (normally closed contact) or a closed switch relay (normally open contact).

You can also specify whether an output should operate as a bistable or monostable relay. In bistable mode, the triggered state of the relay is maintained. In monostable mode, you can set the time after which the relay will return to the idle state.

You can select different events that automatically activate an output. It is possible, for example, to turn on a floodlight by triggering a motion alarm and then turning the light off again when the alarm has stopped.

Idle State

Select **Open** if you want the relay to operate as an NO contact, or select **Closed** if the relay is to operate as an NC contact.

Operating Mode

Select an operating mode for the relay.

For example, if you want an alarm-activated lamp to stay on after the alarm ends, select **Bistable**. If you wish an alarm-activated siren to sound for ten seconds, for example, select **10 s**.

Relay Follows

Select one of the following actions that the AutoDome performs after the relay is triggered:

- Off
- Connection
- Video Alarm 1
- Motion Alarm 1
- Local Input 1

- Remote Input 1

Relay Name

You can assign a name for the relay here. The name is shown on the button next to **Trigger relay**. The Livepage can also be configured to display the name under the relay icon. You can also use the name in the Forensic Search program function as a filter option for quick search in recordings. Enter a unique and clear name here.



CAUTION!

Do not use any special characters, for example **&**, in the name.

Trigger Relay

Click the **Relay 1** button to test the relay connection.

7.48 Advanced Mode: Network

7.49 Network Access

The settings on this page are used to integrate the AutoDome 800 Series into an existing network.

Some changes only take effect after the unit is rebooted. In this case, the **Set** button changes to **Set and Reboot**.

1. Make the desired changes.
2. Click the **Set and Reboot** button. The AutoDome 800 Series is rebooted and the changed settings are activated.



CAUTION!

If you change the IP address, subnet mask or gateway address, the AutoDome 800 Series is only available under the new addresses after the reboot.

Automatic IP assignment

If a DHCP server is employed in the network for the dynamic assignment of IP addresses, you can activate acceptance of IP addresses automatically assigned to the AutoDome 800 Series. Certain applications (VIDOS, Bosch Video Management System, Archive Player, Configuration Manager) use the IP address for the unique assignment of the unit. If you use these applications, the DHCP server must support the fixed assignment between IP address and MAC address, and must be appropriately set up so that, once an IP address is assigned, it is retained each time the system is rebooted.

7.49.1 IPv4

IP address

Enter the desired IP address for the AutoDome 800 Series in this field. The IP address must be valid for the network.

Subnet mask

Enter the appropriate subnet mask for the selected IP address here.

Gateway address

If you want the unit to establish a connection to a remote location in a different subnet, enter the IP address of the gateway here. Otherwise leave the box blank (**0.0.0.0**).

7.49.2

IPv6

Consult with the network administrator before making changes to the this section.

IP Address

Enter the desired IP address for the AutoDome 800 Series in this field. The IP address must be valid for the network. A typical IPv6 address may resemble the following example:

```
2001:db8 : : 52:1:1
```

Consult the network administrator for valid IPv6 address construction.

Prefix Length

A typical IPv6 node address consists of a prefix and an interface identifier (total 128 bits). The prefix is the part of the address where the bits have fixed values or are the bits that define a subnet.

Gateway Address

If you want the unit to establish a connection to a remote location in a different subnet, enter the IP address of the gateway here. Otherwise leave the box blank (**0.0.0.0**).

7.49.3

Detailed Settings

DNS server address

The AutoDome 800 Series is easier to access if the unit is listed on a DNS server. If you wish, for example, to establish an Internet connection to the AutoDome 800 Series, it is sufficient to enter the name given to the unit on the DNS server as a URL in the browser. Enter the IP address of the DNS server here. Servers are supported for secure and dynamic DNS.

Video Transmission

If the unit is operated behind a firewall, **TCP (HTTP port)** should be selected as the transfer protocol. For use in a local network, select **UDP**.



CAUTION!

Multicast operation is only possible with the UDP protocol. The TCP protocol does not support multicast connections.

The MTU value in UDP mode is 1,514 bytes.

HTTP browser port

Select a different HTTP browser port from the list if required. The default HTTP port is 80. If you want to allow only secure connections via HTTPS, you must deactivate the HTTP port. In this case, select **Off**.

HTTPS browser port

If you wish to allow browser access on the network via a secure connection, select an HTTPS browser port from the list if necessary. The default HTTPS port is 443. Select the **Off** option to deactivate HTTPS ports; only unsecured connections will now be possible.

The AutoDome 800 Series uses the TLS 1.0 encryption protocol. You may have to activate this protocol via your browser configuration. You must also activate the protocol for the Java applications (via the Java control panel in the Windows control panel).



NOTICE!

If you want to allow only secure connections with SSL encryption, you must select the **Off** option for each of the parameters **HTTP browser port**, **RCP+ port 1756** and **Telnet support**. This deactivates all unsecured connections. Connections will then only be possible via the HTTPS port.

You can activate and configure encryption of the media data (video and metadata) on the **Encryption** page (see *Section 7.54 Encryption, page 111*).

RCP+ port 1756

To exchange connection data, you can activate the unsecured RCP+ port 1756. If you want connection data to be transmitted only when encrypted, select the **Off** option to deactivate the port.

Telnet support

If you want to allow only secure connections with encrypted data transmission, you must select the **Off** option to deactivate Telnet support. The unit will then no longer be accessible using the Telnet protocol.

Interface mode ETH

If necessary, select the Ethernet link type for the **ETH** interface. Depending on the unit connected, it may be necessary to select a special operation type.

Network MSS (Byte)

You can set the maximum segment size for the IP packet's user data. This gives you the option to adjust the size of the data packets to the network environment and to optimize data transmission. Please comply with the MTU value of 1,514 bytes in UDP mode.

iSCSI MSS (Byte)

You can specify a higher MSS value for a connection to the iSCSI system than for the other data traffic via the network. The potential value depends on the network structure. A higher value is only useful if the iSCSI system is located in the same subnet as the AutoDome 800 Series.

Enable DynDNS

DynDNS.org is a DNS hosting service that stores IP addresses in a database ready for use. It allows you to select the AutoDome 800 Series via the Internet using a host name, without having to know the current IP address of the unit. You can enable this service here. To do this, you must have an account with DynDNS.org and you must have registered the required host name for the unit on that site.

**NOTICE!**

Information about the service, registration process and available host names can be found at DynDNS.org.

Host name

Enter the host name registered on DynDNS.org for the AutoDome 800 Series here.

User name

Enter the user name you registered at DynDNS.org here.

Password

Enter the password you registered at DynDNS.org here.

Force registration now

You can force the registration by transferring the IP address to the DynDNS server. Entries that change frequently are not provided in the Domain Name System. It is a good idea to force the registration when you are setting up the device for the first time. Only use this function when necessary and no more than once a day, to avoid the possibility of being blocked by the service provider. To transfer the IP address of the AutoDome 800 Series, click the **Register** button.

Status

The status of the DynDNS function is displayed here for information purposes. You cannot change any of these settings.

7.50**Advanced**

The settings on this page are used to implement advanced settings for the network.

Some changes only take effect after the unit is rebooted. In this case, the **Set** button changes to **Set and Reboot**.

1. Make the desired changes.
2. Click the **Set and Reboot** button. The AutoDome 800 Series is rebooted and the changed settings are activated.

SNMP

The AutoDome 800 Series supports the SNMP V2 (Simple Network Management Protocol) for managing and monitoring network components, and can send SNMP messages (traps) to IP addresses. The unit supports SNMP MIB II in the unified code. If you wish to send SNMP traps, enter the IP addresses of one or two required target devices here.

If you select **On** for the **SNMP** parameter and do not enter an SNMP host address, the AutoDome 800 Series does not send them automatically, but only replies to SNMP requests. If you enter one or two SNMP host addresses, SNMP traps are sent automatically. Select **Off** to deactivate the SNMP function.

1. SNMP host address / 2. SNMP host address

If you wish to send SNMP traps automatically, enter the IP addresses of one or two required target units here.

SNMP traps

You can select which traps are to be sent.

1. Click **Select**. A list is opened.
2. Click the checkboxes to select the required traps. All the checked traps will be sent.
3. Click **Set** to accept the selection.

Authentication

If a RADIUS server is employed in the network for managing access rights, authentication must be activated here to allow communication with the unit. The RADIUS server must also contain the corresponding data.

To configure the unit, you must connect the AutoDome 800 Series directly to a computer using a network cable. This is because communication via the network is not enabled until the **Identity** and **Password** parameters have been set and successfully authenticated.

Identity

Enter the name that the RADIUS server is to use for identifying the AutoDome 800 Series.

Password

Enter the password that is stored in the RADIUS server.

RTSP port

If necessary, select a different port for the exchange of the RTSP data from the list. The standard RTSP port is 554. Select **Off** to deactivate the RTSP function.

NTCIP

Specifies a set of rules and protocols for organizing, describing and exchanging transportation management information between transportation management applications and transportation equipment such that they interoperate with each other.

Select a port for **NTCIP** and the **Address** from the appropriate drop-down lists.

UPnP

You can activate the Universal Plug and Play (UPnP) function. If the function is turned on, the unit responds to requests from the network and is automatically registered on the requesting computers as a new network device. For example, access to the unit can then be made using Windows Explorer without knowledge of the IP address of the unit.

**NOTICE!**

To use the UPnP function on a computer, both the Universal Plug and Play Device Host and SSDP Discovery Service must be active in Windows XP and Windows 7.

TCP Port

The device can receive data from an external TCP sender, for example an ATM or POS device, and store it as metadata. Select the port for TCP communication. Select Off to deactivate the TCP metadata function.

Sender IP address

Enter the IP address of the TCP metadata sender here.

Quality of Service

The AutoDome offers Quality of Service (QoS) configuration options to ensure fast network response to PTZ data and images. Quality of Service (QoS) is the set of techniques to manage network resources. QoS manages the delay, delay variation (jitter), bandwidth, and packet loss parameters to guarantee the ability of a network to deliver predictable results. QoS identifies the type of data in a data packet and divides the packets into traffic classes that can be prioritized for forwarding.

Consult with your network administrator for assistance configuring the **Audio, Video, Control**, and the **Alarm Video** settings.

7.51**Multicast**

In addition to a 1:1 connection between an encoder and a single receiver (unicast), the AutoDome 800 Series can enable multiple receivers to receive the video signal from an encoder simultaneously. The device either duplicates the data stream itself and then distributes it to multiple receivers (Multi-unicast) or it sends a single data stream to the network, where the data stream is simultaneously distributed to multiple receivers in a defined group (Multicast). You can enter a dedicated multicast address and port for each stream. You can switch between the streams by clicking the appropriate tabs.

**NOTICE!**

Multicast operation requires a multicast-enabled network that uses the UDP and the Internet Group Management IGMP protocols. Other group management protocols are not supported. The TCP protocol does not support multicast connections.

A special IP address (class D address) must be configured for multicast operation in a multicast-enabled network.

The network must support group IP addresses and the Internet Group Management Protocol (IGMP V2). The address range is from 225.0.0.0 to 239.255.255.255.

The multicast address can be the same for multiple streams. However, it will be necessary to use a different port in each case so that multiple data streams are not sent simultaneously using the same port and multicast address.

**NOTICE!**

The settings must be made individually for each stream.

Enable

To enable simultaneous data reception on several receivers you need to activate the multicast function. To do this, check the box. You can then enter the multicast address.

Multicast Address

Enter a valid multicast address for each stream to be operated in multicast mode (duplication of the data streams in the network).

With the setting **0.0.0.0** the encoder for the relevant stream operates in multi-unicast mode (copying of data streams in the unit). The AutoDome 800 Series supports multi-unicast connections for up to five simultaneously connected receivers.

**NOTICE!**

Duplication of data places a heavy demand on the unit and can lead to impairment of the image quality under certain circumstances.

Port

Assign a different port to each data stream if there are simultaneous data streams at the same multicast address.

Enter the port address of the required stream here.

Streaming

Click the checkbox to activate multicast streaming mode for the relevant stream. An enabled stream is indicated by a check mark.

Multicast packet TTL

You can enter a value to specify how long the multicast data packets are active on the network. This value must be greater than one if multicast is to be run via a router.

7.52

FTP Posting

You can save individual JPEG images on an FTP server at specific intervals. You can then retrieve these images at a later date to reconstruct alarm events if required.

File name

You can select how file names will be created for the individual images that are transmitted.

– Overwrite

The same file name is always used and any existing file will be overwritten with the current file.

– Increment

A number from 000 to 255 is added to the file name and automatically incremented by 1. When it reaches 255 it starts again from 000.

– Date/time suffix

The date and time are automatically added to the file name. When setting this parameter, ensure that the unit's date and time are always correctly set. Example: the file snap011005_114530.jpg was stored on October 1, 2005 at 11:45 and 30 seconds.

Posting interval

Enter the interval in seconds at which the images will be sent to an FTP server. Enter zero if you do not want any images to be sent.

FTP server IP address

Enter the IP address of the FTP server on which you wish to save the JPEG images.

FTP server login

Enter your login name for the FTP server.

FTP server password

Enter the password that gives you access to the FTP server.

Path on FTP server

Enter the exact path on which you wish to post the images on the FTP server.

Max. Bit Rate

Enter the maximum bit rate for the JPEG images.

7.53**IPv4 Filter**

Use this setting to configure a filter that allows or blocks network traffic that matches a specified address or protocol.

IP Address 1 / 2

Enter the IPv4 address that you want to allow or block

Mask 1 / 2

Enter the subnet mask for the appropriate IPv4 address.

7.54**Encryption**

A special license, with which you will receive a corresponding activation key, is required to encrypt user data. You can enter the activation key to release the function on the **Licenses** page (see *Section 7.57 Licenses, page 112*).

7.55**Advanced Mode: Service****7.56****Maintenance****Firmware**

The AutoDome 800 Series is designed in such a way that its functions and parameters can be updated with firmware. To do this, transfer the current firmware package to the unit via the selected network. It will then be automatically installed there.

In this way, an AutoDome 800 Series can be serviced and updated remotely without a technician having to change the installation on site.

Refer to *Section 9 BVIP Firmware Updates, page 115*, for firmware upgrade instructions.

**CAUTION!**

Before launching the firmware upload make sure that you have selected the correct upload file. Uploading the wrong files can result in the unit no longer being addressable, in which case you must replace the unit.

You should never interrupt the installation of firmware. An interruption can lead to the flash-EPROM being incorrectly programmed. This in turn can result in the unit no longer being addressable, in which case it will have to be replaced. Even changing to another page or closing the browser window leads to an interruption.

Refer to *Section 9 BVIP Firmware Updates, page 115*, for firmware upgrade instructions.

Configuration

You can save configuration data for the AutoDome 800 Series on a computer and then load saved configuration data from a computer to the unit.

Upload

1. Enter the full path of the file to upload or click **Browse** to select the required file.
2. Make certain that the file to be loaded comes from the same unit type as the unit you want to configure.
3. Next, click **Upload** to begin transferring the file to the unit. The progress bar allows you to monitor the transfer.

Once the upload is complete, the new configuration is activated. The time remaining is shown by the message **going to reset Reconnecting in ... seconds**. The unit reboots automatically once the upload has successfully completed.

Download

1. Click the **Download** button. A dialog box opens.
2. Follow the on-screen instructions to save the current settings.

SSL certificate

To be able to work with an SSL encrypted data connection, both ends of a connection must hold the relevant certificates. You can upload the SSL certificate, comprising one or multiple files, onto the AutoDome 800 Series.

If you wish to upload multiple files onto the AutoDome 800 Series, you must select them consecutively.

1. Enter the full path of the file to upload or click **Browse** to select the required file.
2. Next, click **Upload** to begin transferring the file to the unit.
3. Once all files have been successfully uploaded, the unit must be rebooted. In the address bar of your browser, enter **/reset** after the IP address of the AutoDome 800 Series (for example **192.168.0.10/reset**).

The new SSL certificate is valid.

Maintenance log

You can download an internal maintenance log from the unit to send it to Customer Service for support purposes. Click **Download** and select a storage location for the file.

7.57

Licenses

You can enter the activation key to release additional functions or software modules.



NOTICE!

The activation key cannot be deactivated again and is not transferable to other units.

7.58

System Overview

The data on this page are for information purposes only and cannot be changed. Keep a record of this information in case technical assistance is required.



NOTICE!

You can select all required text on this page with the mouse and copy it to the clipboard with the [Ctrl]+[C] key combination, for example if you want to send it via e-mail.

8 Bubble Handling and Cleaning

The bubble is made of acrylic for excellent optical clarity. Special care is required when handling and cleaning the bubble to avoid scratching it.

8.1 Handling

The bubble is packaged with a protective plastic sheet. It is recommended that the bubble remain stored this way until it is ready to install. Limit handling the bubble, as any scratches can quickly affect visibility.

8.2 Cleaning

If cleaning the bubble is required, use the following procedures and comply with all the warnings listed below.

8.2.1 Cleaning the Bubble Interior

The extremely soft interior surface should not be cleaned by rubbing or dusting with a cloth. Use clean dry compressed air, preferably from a spray can, to remove any dust from the interior surface.

**WARNING!**

Do not use alcohol-based solutions to clean the bubble. This will cause the bubble to cloud and over time cause stress aging, which makes the bubble brittle.

Removing the Pendant Bubble

Use the following procedure to remove the bubble:

1. Using both hands, apply a counterclockwise (looking up at the dome) rotational force on the Pendant Bubble Assembly to set the bubble latch.
2. Insert a small (2 mm) straight blade screwdriver into the latch opening of the bubble trim-ring to release the latch. Then remove the screwdriver. See the figure below.

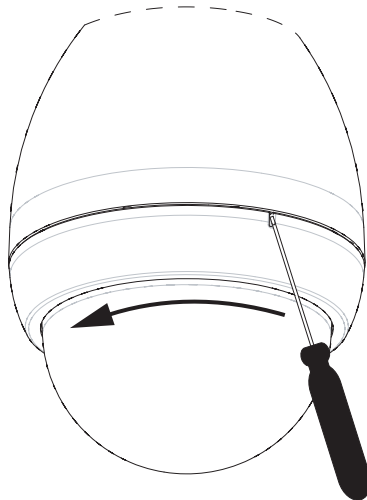


Figure 8.1 Pendant Bubble Release Opening

3. Rotate the bubble assembly counterclockwise approximately 20 degrees until the bubble assembly releases from the pendant housing and remove the bubble.
4. To replace the bubble, insert the bubble assembly into the pendant housing, and rotate it clockwise (looking up at the dome) until it locks. The latch mechanism makes a click when it locks.

8.2.2

Cleaning the Bubble Exterior

The exterior of the bubble is hard coated for extra protection. If cleaning becomes necessary, only use cleaning solutions and cloths suitable for cleaning safety glass lenses. Dry the bubble thoroughly with a dry nonabrasive cloth to prevent water spots. Never scrub the bubble with any abrasive material or cleaners.

Do Not:

- Do Not use abrasive or highly alkaline cleaners on the bubble.
- Do Not scrape the bubble with razor blades or other sharp instruments.
- Do Not use Benzene, Gasoline, Acetone, or Carbon Tetrachloride on the bubble.
- Do Not clean bubbles in the hot sun or on very hot days.

9 BVIP Firmware Updates

The AutoDome 800 Series incorporate a network video server in the IP module. The primary function of the server is to encode video and control data for transmission over a TCP/IP network. The AutoDome 800 Series also allows an operator to update the BVIP firmware via the TCP/IP network.

The latest BVIP firmware is available on the Bosch Security Systems Web site. To download the service pack from the Web, navigate to www.boschsecurity.us, click the CCTV link, then click Cameras, PTZ and navigate to the product page for the AutoDome 800 Series. Then click the Software tab on the product page.

9.1 Upgrading the AutoDome 800 Series

The preferred method to update an AutoDome 800 Series is through a direct connection between the camera and a PC. This method entails connecting the Ethernet cable from the camera directly to the Ethernet port of a PC.

If the direct-connect method is not practical you can also update the AutoDome 800 Series through a Local Area Network (LAN). You cannot, however, update the AutoDome 800 Series through a Wide Area Network (WAN) or via the Internet.

9.2 Beginning the Firmware Update Process

Use this procedure to connect to your AutoDome 800 Series and to navigate to the Firmware Update page.

1. Launch Internet Explorer and type the IP address for the AutoDome 800 Series in the Address bar and click Go.
Internet Explorer opens the Livepage view.
2. Click the SETTINGS link, located at the top of the page.
3. Click the Service link in the left pane.
4. Click the Maintenance link below the Service link.
5. Click the Search button and navigate to the firmware file (*.fw). Then, click OK.
6. Click the Upload button.
7. Click OK to the warning message to continue the firmware upload, or Cancel to stop the upload.

The page displays a progress bar as the firmware is uploaded.

Note: Once the progress bar reaches 100% the system opens the reset page. Allow the reset page to complete its action.

8. Once the reset is complete the upgrade is complete.

A Keyboard Commands by Number

Locked	Alarm Rule Output	Function Key	Comm No.	Command	Description
	Y	On/Off	1	Scan 360°	Autopan without limits
		On/Off	2	Autopan	Autopan between limits
	Y	On/Off	8	Play Pre-position Tour	Activate/Deactivate
Y	Y	On/Off	18	AutoPivot Enable	Enables/disables AutoPivot
	Y	On/Off	20	Backlight Comp	Backlight Compensation
Y		On/Off	40	Restore Camera Settings	Restores all setting to their original defaults
Y	Y	On/Off	43	Auto Gain Control	AGC–On, Auto, Off
		On/Off	50	Playback Tour A	Activate/Deactivate
		On/Off	52	Playback Tour B	Activate/Deactivate
	Y	On/Off	57	Night Mode setting	Enables/Disables Night Mode (Day/Night only)
Y	Y	On/Off	60	On Screen Display	On–enable Off–disable
Y	Y	On/Off	78	Intelligent Tracking	Turns Intelligent Tracking on or off. Refer to <i>Section 6.5 Configuring Intelligent Tracking, page 60</i> , configuration steps.
Y	Y	On/Off	80	Digital Zoom Lock	Turns digital zoom on and off
Y	Y	On/Off	86	Sector Blanking	On–enable Off–disable
Y	Y	On/Off	87	Privacy Masking	On–enable Off–disable
	Y	On/Off	90	Command Lock/Unlock	On–lock on Off–lock off
Y		On/Off	94	Set Azimuth Zero Point	Sets the zero degree pan position.
		On/Off	95	Display Azimuth/ Elevation Readings	On–Displays azimuth/elevation readings Off–Hides azimuth/elevation readings
		On/Off	96	Display Compass Heading	On–Displays compass heading Off–Hides compass heading
		On/Off	100	Record Tour A	On– start recording Off – stop recording
		On/Off	101	Record Tour B	On– start recording Off – stop recording

Index

Symbols

/reset 60

A

activating the recording 95

activation key 112

alarm 77

alarm e-mail 102

alarm inputs 54

non-supervised 54

normally closed non-supervised 54

normally open non-supervised 54

with parapet roof or pipe mounts 47

with pendant arm, corner or mast mount 18, 24, 29

alarm message 77

alarm outputs 55

open collector output 55

with parapet roof or pipe mount 47

with pendant arm, corner or mast mount 18, 24, 29

alarm rule 103

alarm sensors 93

attaching

cover door 36

pendant arm 22

audio settings 73, 90

audio transmission 73, 90

auto-connect 97

AutoPivot 87

Aux Control tab 64

Aux Off 64

Aux On 64

azimuth zero 88

B

banding tool 15, 16, 26

basic mode 70

BNC connector

with pendant arm, corner or mast mount 18

with roof parapet or pipe mount 47

Browser window 61

bubble 113

cleaning 113

handling 113

C

cable

Ethernet 57

cable standards 51

cables

copper 51

camera

selection 62

camera name 74

changes in light level 98

command numbers 64

commands

/reset 60

Aux Off 64

Aux On 64

keyboard 64, 116

preset shot 64

Set Shot 64

Show Shot 64

configuration download 112

Configuration Manager 59

configuration mode 70

configuring

/reset 60

IP network settings 59

Livepage 59

connect on alarm 95

control signals 78

controlling

image area 63

copper wire 51

corner installation 16, 26

corner plate 16

cover door 36

D

date 75

date format 75

daylight saving time 75

default profile 82

default recording profile 92

default VCA profile 97

deleting recordings 92

device ID 74

device name 70

DHCP server 72

Dibos 56

DirectX 57

Display stamping 61

display stamping 76

displaying

on-screen menus 64

dome cap 44

dual streaming 56, 80

DynDNS 107

E

e-mail 102

encoding 56

video 56

encryption protocol 106

EPROM 111

Ethernet 51

cable 60

event log 63, 79

F

false alarms 98

fiber optic

module 25

single mode 51

with pendant arm, corner or mast mount 18

with roof parapet or pipe mount 39

files

- JPEG 56
- MPEG-4 56

- firewall 96, 106
- firmware upload 111
- formatting 92
- FTP server 110, 111
- fuse specifications 19

G

- gateway 72, 105, 106
- gateway address 58
- general password 96
- guard tour 88
- guy-wire 45

H

- holidays 94
- HTTP port 106
- HTTPS port 106

I

- identification 70
- IEEE 802.1x 108
- IGMP 109
- IGMP V2 56
- image quality 110
- image resolution 66
- image selection 62
- inactivity 87
- initiator name 74
- installing
 - pendant arm, corner or mast mount 14
 - pipe interface board 48
 - pipe mount 45
 - roof parapet mount 42
 - tope-mounting flange 45
- Intelligent Tracking 60, 65
 - field of view recommendations 61
 - mount recommendations 61

internal clock 75

IP 56

- /reset 60
- address 58, 59, 72
- alarm 63
- dual streaming 56
- encoding 56
- gateway address 58
- Livepage 59
- module 56
- multicast 56
- network settings page 59
- port 58
- record 56
- snapshots 56
- subnet mask 58
- system requirements 56

IP address 105, 106

IPv4 105

IPv6 106

iSCSI settings 91

J

JPEG 56

JPEG posting 110

JPEG posting interval 110

K

- keyboard commands 64, 116
 - Aux Off command 64
 - Aux On 64
- keypad 64

L

- language 78
- licenses 112
- Livepage 59
- livepage 78
- LTC 9230/01 43

M

- manufacturer logo 77
- mast installation 16, 26
- mast plate 16
- milliseconds 77
- motion detector 97
- motion detector defaults 97
- motion detector object size 98
- motion detector sensitivity 98, 99
- mount
 - pendant arm, corner or mast 14
 - pipe 33
 - roof parapet 33
- Mouting Plate 15, 26
- MPEG ActiveX 57
- MPEG-4 56
- MTU value 106, 107
- multicast 56
- multicast address 110
- multicast connection 106, 109
- multicasting 109
- multi-unicast 109

N

- navigation 70
- NEMA Certification
 - for pendant arm, corner or mast mount 15
 - for roof parapet or pipe mount 34

network 72, 105, 108

network settings page 59

networking

- Ethernet cable 57
- gateway address 58
- IGMP V2 56
- IP 56
- IP address 58
- NTCIP 108
- port 58
- QoS 109
- RTSP 108
- subnet mask 58
- TCP port 109
- TCP/IP 56
- UDP 56
- UPnP 109

non-supervised alarms 54

NTCIP 108

number of connections 62

P

- parapet arm
 - stabilizing 45
- password 62, 71, 74, 75
- pendant
 - connector harness 25, 30
- pendant arm
 - attaching to power supply box 22
- pendant arm, corner or mast mount
 - mast plate 16
- pendant assembly
 - attaching to pipe mount 49
- pendant bubble
 - removing 113
- pipe interface board 46, 48
- pipe mount 33, 45
 - power supply box location 34
- pole installation 16, 26
- port 58, 106, 110
- post-alarm profile 93
- post-alarm time 93
- power supply
 - fuse specifications 19
- power supply box 37
 - attaching to pendant arm 22
 - connections for pendant arm 20, 21, 42
 - connections for roof parapet or pipe mount 33, 41
 - installing with pendant arm, corner or mast mount 16, 23
 - installing with roof parapet or pipe mount 34
 - locating for pendant arm, corner or mast mount 15
 - wiring for pendant arm, corner or mast mount 23
- pre-alarm time 93
- prefix length 106
- preposition 89
- preset 89
- preset shot 64
- processor load 66
- processor load indicator 66
- product name 77
- profile configuration 81
- profiles 72, 80
- protocol
 - IGMP V2 56
 - TCP/IP 56
 - UDP 56

Q

- QoS 109
- quality of service 109

R

- RADIUS 108
- receiver password 95
- record 56
- recorded tour 88
- recording media 91
- recording profiles 92
- recording scheduler 94
- recording status 95
- recording video sequences 66
- reflections of light 98
- relay 55

- roof parapet or pipe mount 33, 42
 - cover door 36
 - dome cap 44
 - parts 33
 - power supply box location 34
 - wall bracket 43
 - wall mount bracket 42
- router 110
- routing wires
 - for pendant arm, corner or mast mount 17
 - for roof parapet or pipe mount 37
- RTSP port 108

S

- saving event log 79
- saving system log 79
- savng configuration 112
- select area 99, 101
- selecting a profile 80
- sensor fields 99, 100
- Set Shot 64
- Show Shot command 64
- SMS 102
- snapshots 56, 66
- SNMP 108
- SNTP server 71, 76
- software
 - DirectX 57
- SSL certificate 112
- SSL encryption 97
- standard recording profile values 92
- storage media 91
- storage medium 73, 74, 91
- streaming 110
- subnet mask 58, 72, 105
- summer time 75
- synchronize 71, 75
- system log 63, 79

T

- tamper detection 99
- target data rate 81
- TCP 96, 106
- TCP port 109
- TCP/IP 56
- time 71, 75, 76
- time server 71, 76
 - IP address 71
 - protocol 71
- time server IP address 76
- time server protocol 76
- time signal 71, 76
- time zone 75
- TLS 106
- top-mounting flange 45
- tour
 - guard 88
 - preposition 89
 - recorded 88
- transmission protocol 96, 106
- traps 108
- trim skirt 16
- TTL 110

U

- UDP 56, 96, 106
- unicast 109
- unit date 75
- unit identification 70
- unit name 70
- unit time 71, 75
- unshielded twisted pair
 - with pendant arm, corner or mast mount 18
- UPnP 109
- user name 71, 75
- UTP CAT-5 51

V

- VG4-A-9230 33, 42
- VG4-ARMPLATE 15, 26
- video content analysis 97
- video sensor 97
- VIDOS 56
- VIP XD 56
- VRM 91

W

- wall installation 16
- wall mount template 16
 - for roof parapet or pipe mount 35
- watermarking 77
- wire standards 51
- wiring
 - for pendant arm, corner or mast mount 15
 - for pipe interface board 46
 - for roof parapet or pipe mount 39
 - power supply box 37

Bosch Security Systems, Inc.

850 Greenfield Road
Lancaster, PA 17601
U.S.A.

www.boschsecurity.com

© Bosch Security Systems, Inc., 2012